

JABBER ONE Evo

1:5th Scale RC Motorbike Build Manual



JABBER

RADIO CONTROLLED MOTORBIKES

Thank you very much for selecting the JABBER RC Bike and thus become a member of the ever growing worldwide RC Bike racing family.

The Jabber ONE Evo is a state of the art 1/5 scale racing bike.

The assembly manual will guide you through all the steps to complete the bike, so you can hit the track with a good base-set-up soonest. The JABBER design department succeeded to create a superbly performing bike combined with easy assembly and maintenance. The high quality standards of all parts and hardware will make racing your JABBER One Evo bike a very rewarding activity.

SAFETY

Read and take note of the 'Read this First section' before proceeding to assemble the kit. This kit is intended for persons aged 16 or older.

The JABBER ONE Evo is a competition prototype RC Bike this is not a toy but a racing model.

This RC Bike is intended to be used on race circuits only and by adult person or under supervision of a responsible adult.

Take safety precautions prior to operating this model. You are responsible for this model's assembly and safe operation.

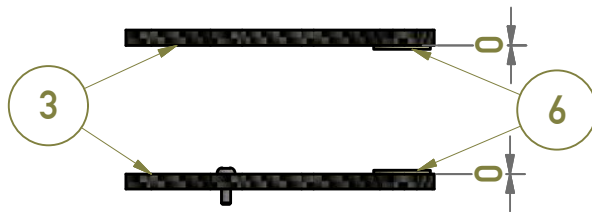
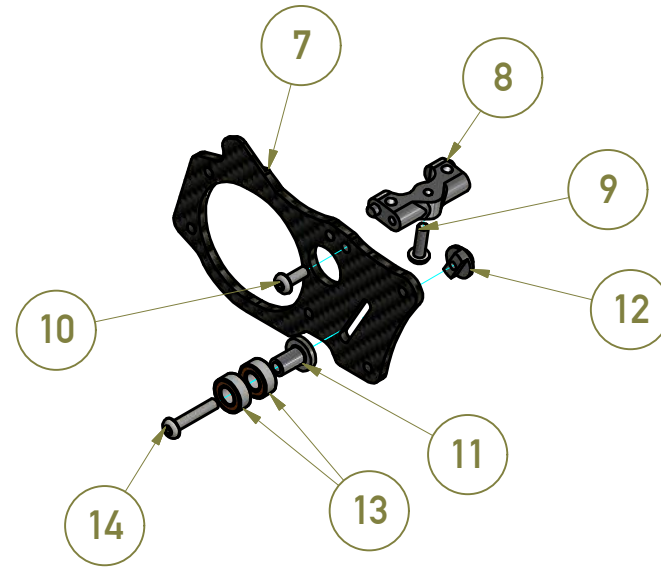
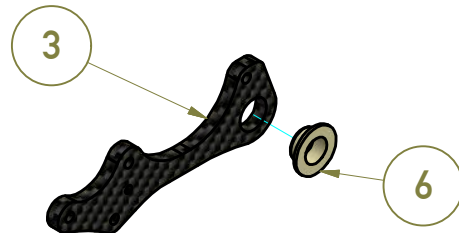
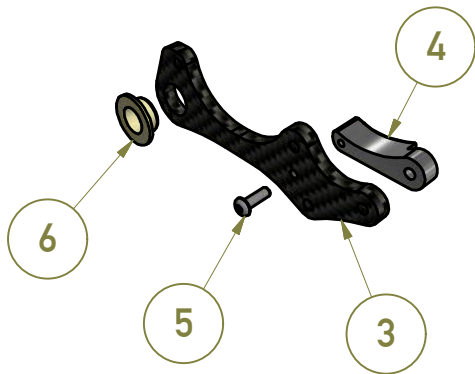
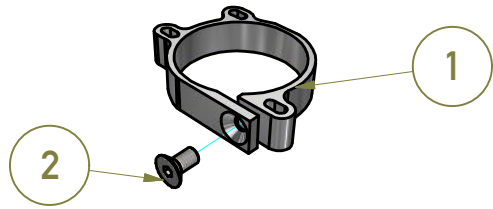
READ THIS FIRST

- This is a highly technical hobby product, intended to be used in a safe racing environment. This bike is capable of speeds in excess of 80 km/h or 50mph. Please follow these guidelines when building and operating this model.
- Parental guidance is required when the builder/user of this bike is under 16.
- Follow the building instructions. If in doubt, contact your dealer or importer.
- Be sure to use the proper tools when assembling the bike. Always exercise caution when using electric tools, knives and other sharp objects.
- Be careful when using liquids like lubrication oil or glue.
- Follow the manufacturer's instruction in case you experience irritation after using the product.
- Be careful when operating the bike. Stay away from any rotating parts such as wheels, gears and transmission. Stay away from motor or speedo during and immediately after use, as these parts may be very hot. We advise to use protective hand gloves.
- Only operate this bike in a safe environment, like a special racing track. Avoid using this bike on public roads and crowded places.
- Before operating this bike, always check the mechanical status of the bike. Also check that the transmitter and receiver frequencies correspond and are not used by any other racer at the same time. Check that the batteries of the transmitter and receiver are fully charged.
- After use, always check all the mechanics of the bike. We advise to inspect the bike immediately after use and inspect the parts for wear or fractures. Replace when necessary.

- Please clean all white plastic parts from dust inside the holes.
- You will find an extra SOS screw of each type included in the bag.

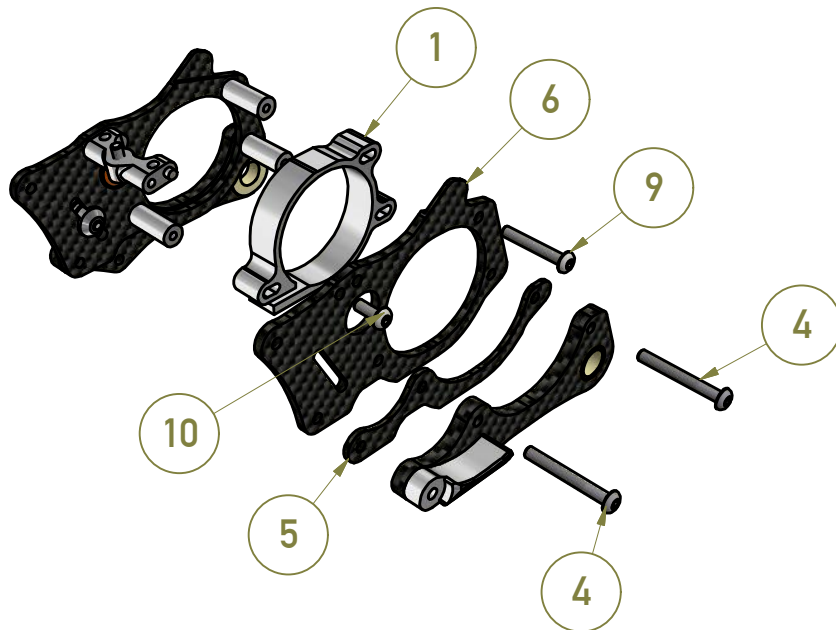
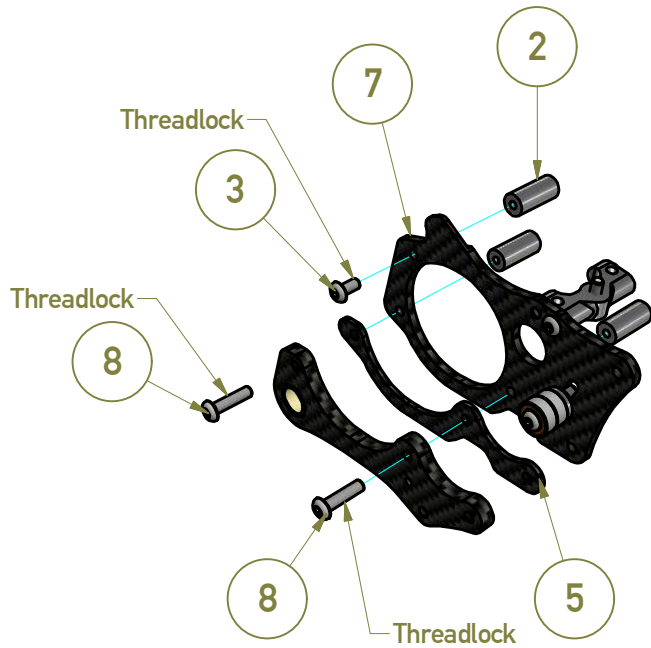
Please enjoy building your JABBER One Evo bike. Do not hesitate to contact your dealer or JABBER directly for any issue.

Center Swingarm Assembly Part 1



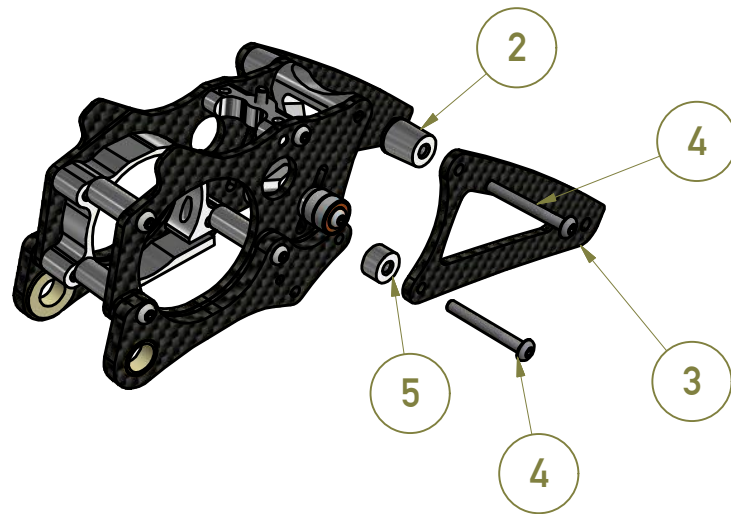
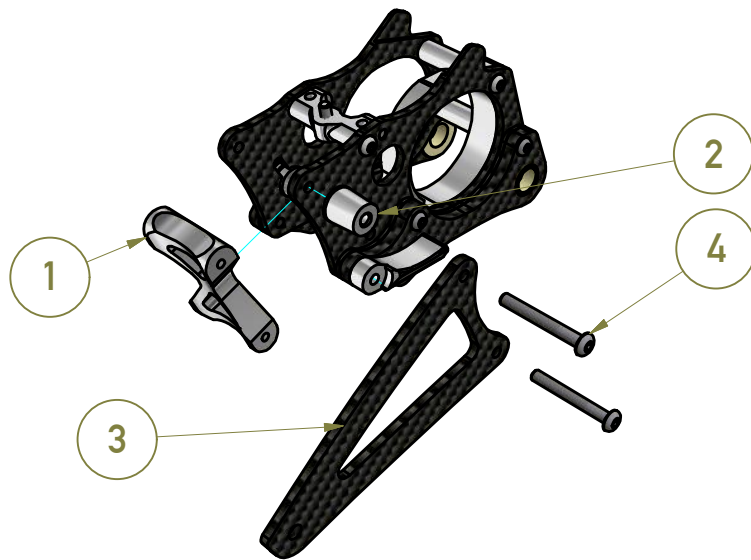
14	1		RH Screw ISO 7380 - M3 x 16
13	2	1059510099	Ball Bearing 5x10x4
12	1	54030950	Belttensioner Nut
11	1	54030940	Belttensioner 2016
10	1		RH Screw ISO 7380 - M3 x 8
9	1		RH Screw ISO 7380 - M3 x 10
8	1	54022200	Alu Shock Holder rear
7	1	54020241	Cfk Swingarm inner EVO L
6	2	08101505	Swingarm Bushing
5	1		RH Screw ISO 7380 - M2,5 x 8
4	1	54030123	Alu Spur Saver
3	2	54020243	Cfk Swingarm lever
2	1		CS Screw DIN 7991 - M4x8
1	1	54021200	Motorclamp 2016
Pos	Pcs	Part #	Description

Center Swingarm Assembly Part 2



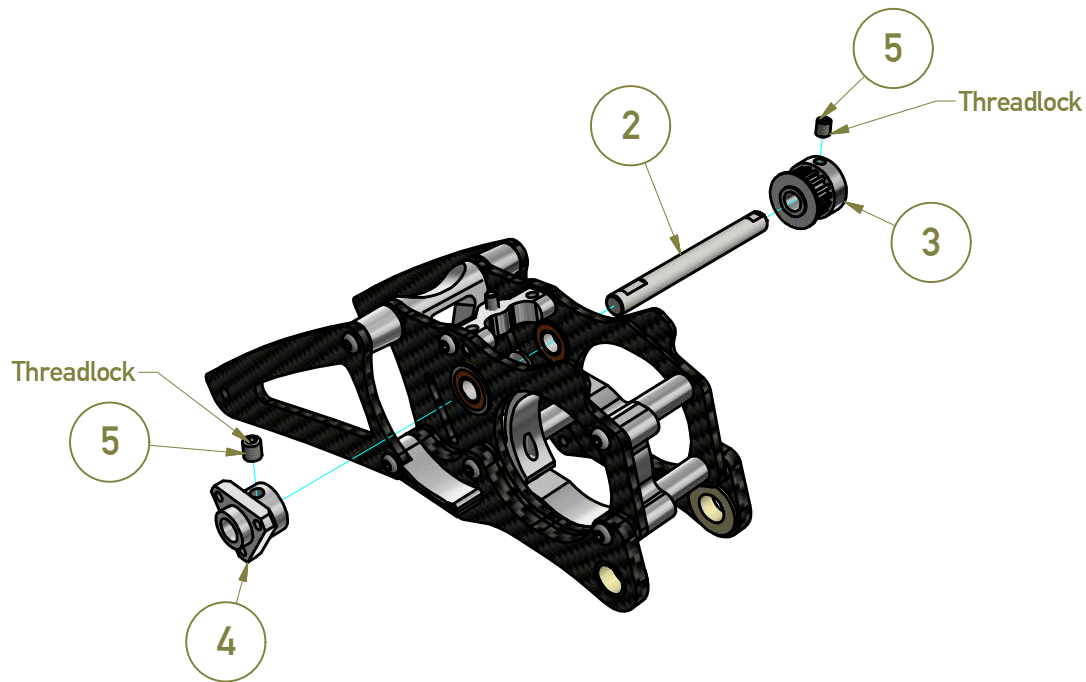
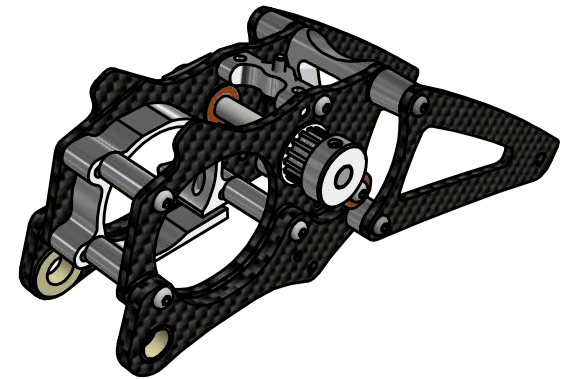
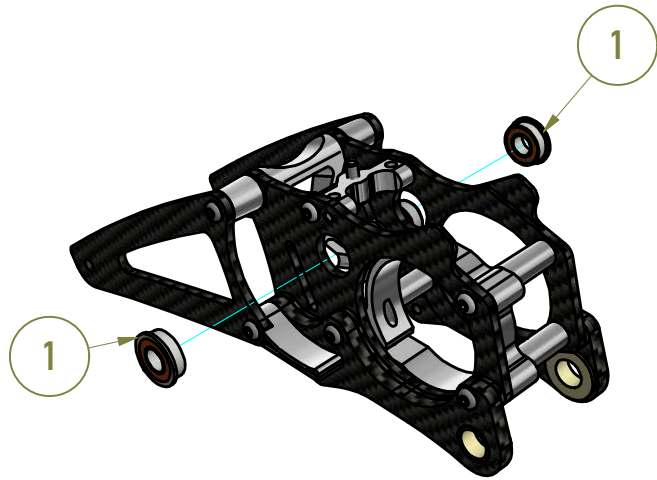
10	1		RH Screw ISO 7380 - M3 x 8
9	1		RH Screw ISO 7380 - M3 x 20
8	2		RH Screw ISO 7380 - M3 x 12
7	1	54020241	Cfk Swingarm inner EVO L
6	1	54020244	Cfk Swingarm inner EVO R
5	2	54020242	Cfk Swingarm Spacer
4	2		RH Screw ISO 7380 - M3 x 25
3	3		RH Screw ISO 7380 - M3 x 6
2	3	54021210	Podstrut
1	1	54021200	Motorclamp 2016
Pos	Pcs	Part #	Description

Rear Swingarm Assembly



5	1	00339054	Alu Shim ø3x5,3
4	4		RH Screw ISO 7380 - M3 x 25 (10.9)
3	2	54031230	Cfk Swingarm std
2	2	00319109	Alu Shim ø3x10,8
1	1	54030235	Central Swingarm Stiffener
Pos	Pcs	Part #	Description

Driveshaft Assembly

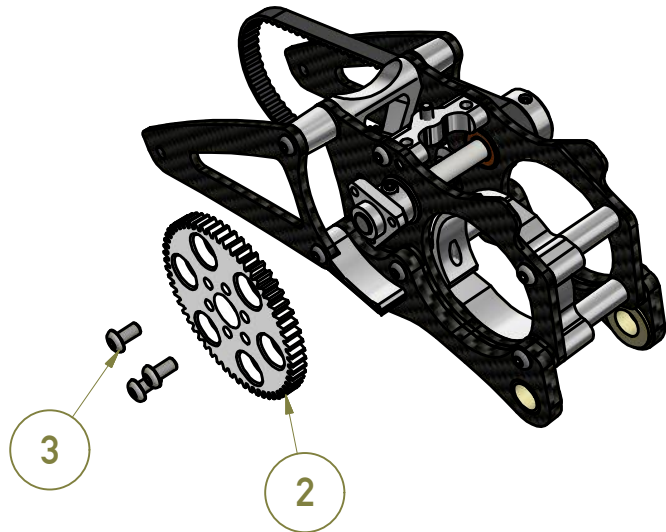
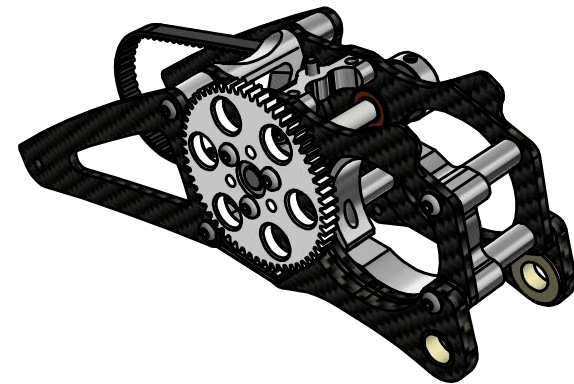


5	2		Grubscrew DIN 913 - M4 x 5
4	1	54032300	Gear Carrier JABBER 2013
3	1	54020161	Belt Pulley 16T 2016
2	1	54021930	Drive Shaft
1	2	1269612099	Ball Bearing flanged 6x12x4
Pos	Pcs	Part #	Description

JABBER

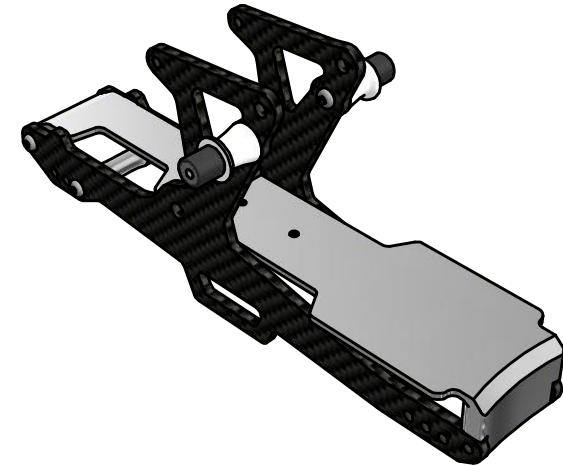
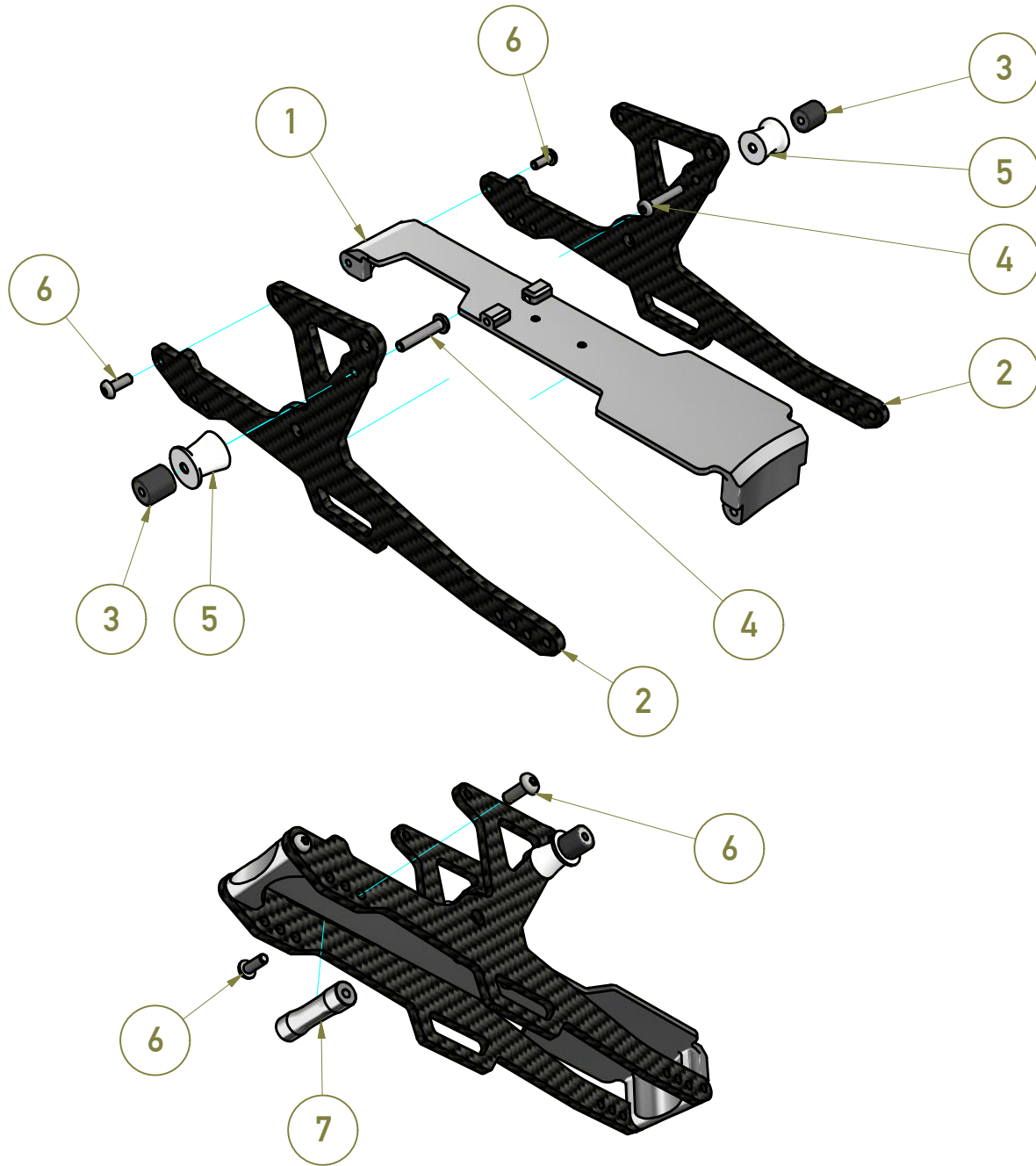
RADIO CONTROLLED MOTORBIKES

Belt and Spur Gear Assembly



3	3		RH Screw ISO 7380 - M3 x 6
2	1	RW32BJ58	Spur Gear 58T 32dp
1	1	130500285060	Belt
Pos	Pcs	Part #	Description

Main Chassis Assembly

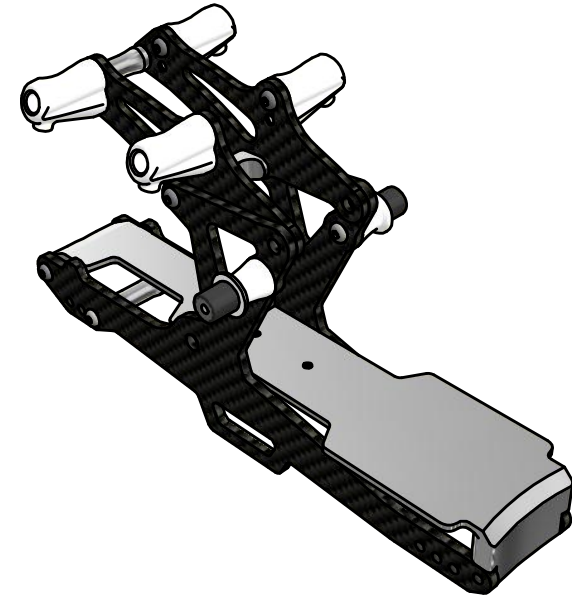
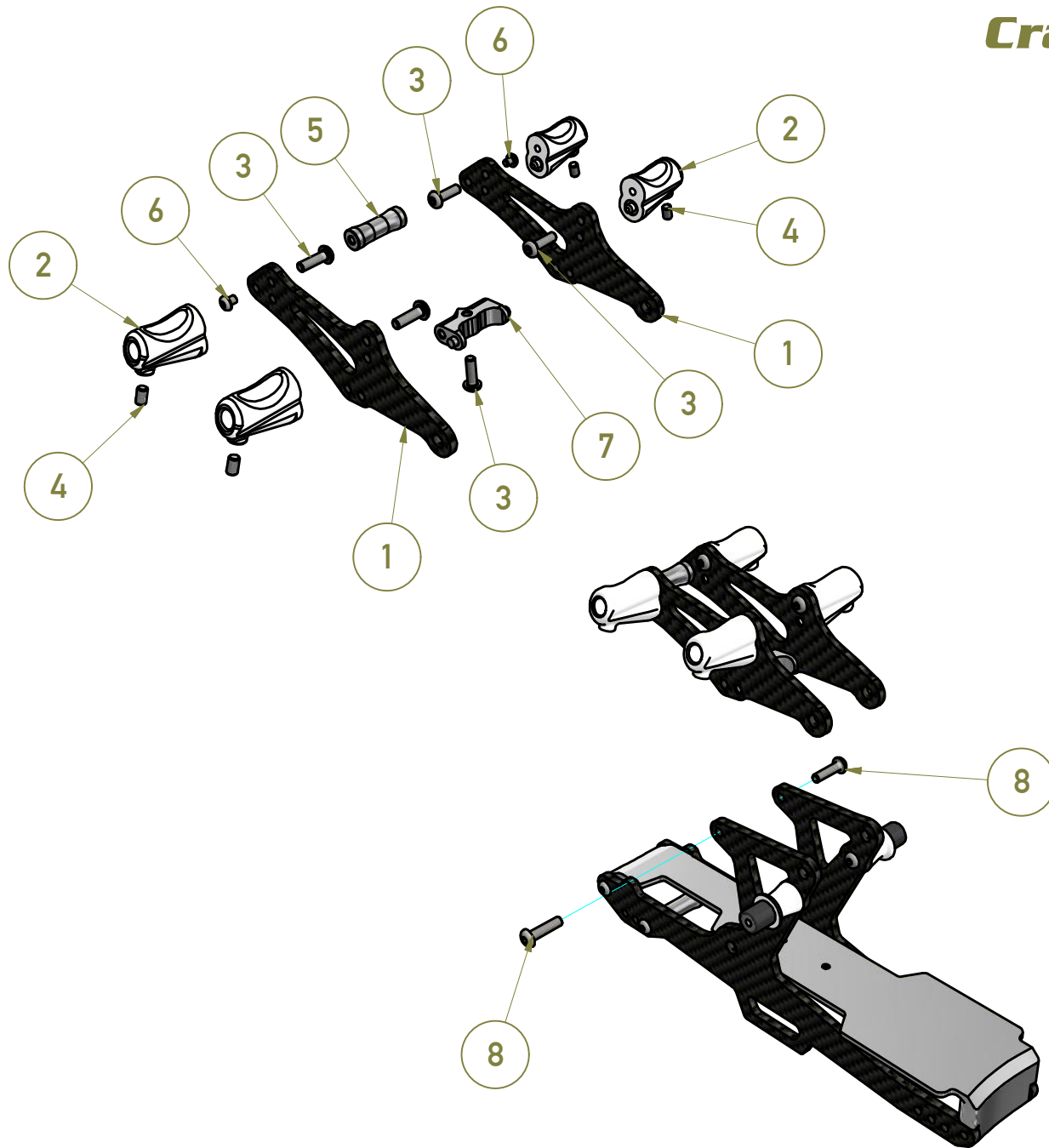


7	1	54030230	Swingarm Distance holder
6	4		RH Screw ISO 7380 - M3 x 8
5	2	00310110	SLS Bodypost
4	2		RH Screw ISO 7380 - M3 x 16
3	2	54020231	Rubber Body Post
2	2	54020201	Cfk Chassis rear
1	1	54021003	Radio Plate Monobloc
Pos	Pcs	Part #	Description

JABBER

RADIO CONTROLLED MOTORBIKES

Crashbar Holder Assembly

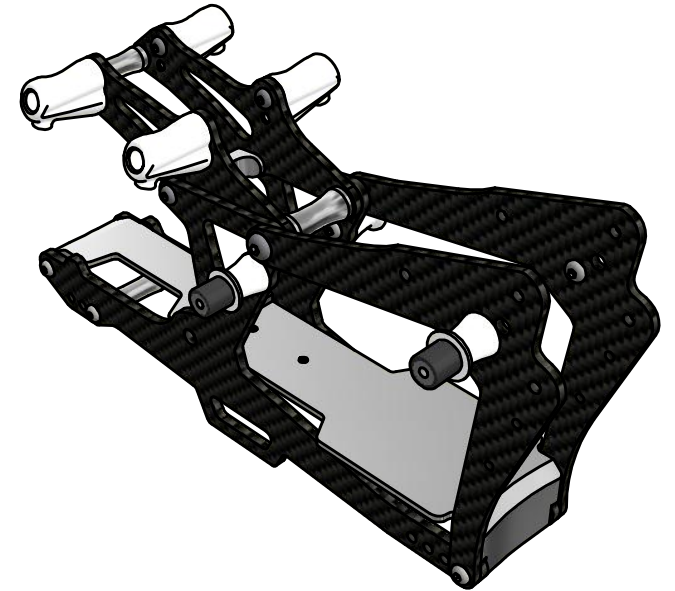
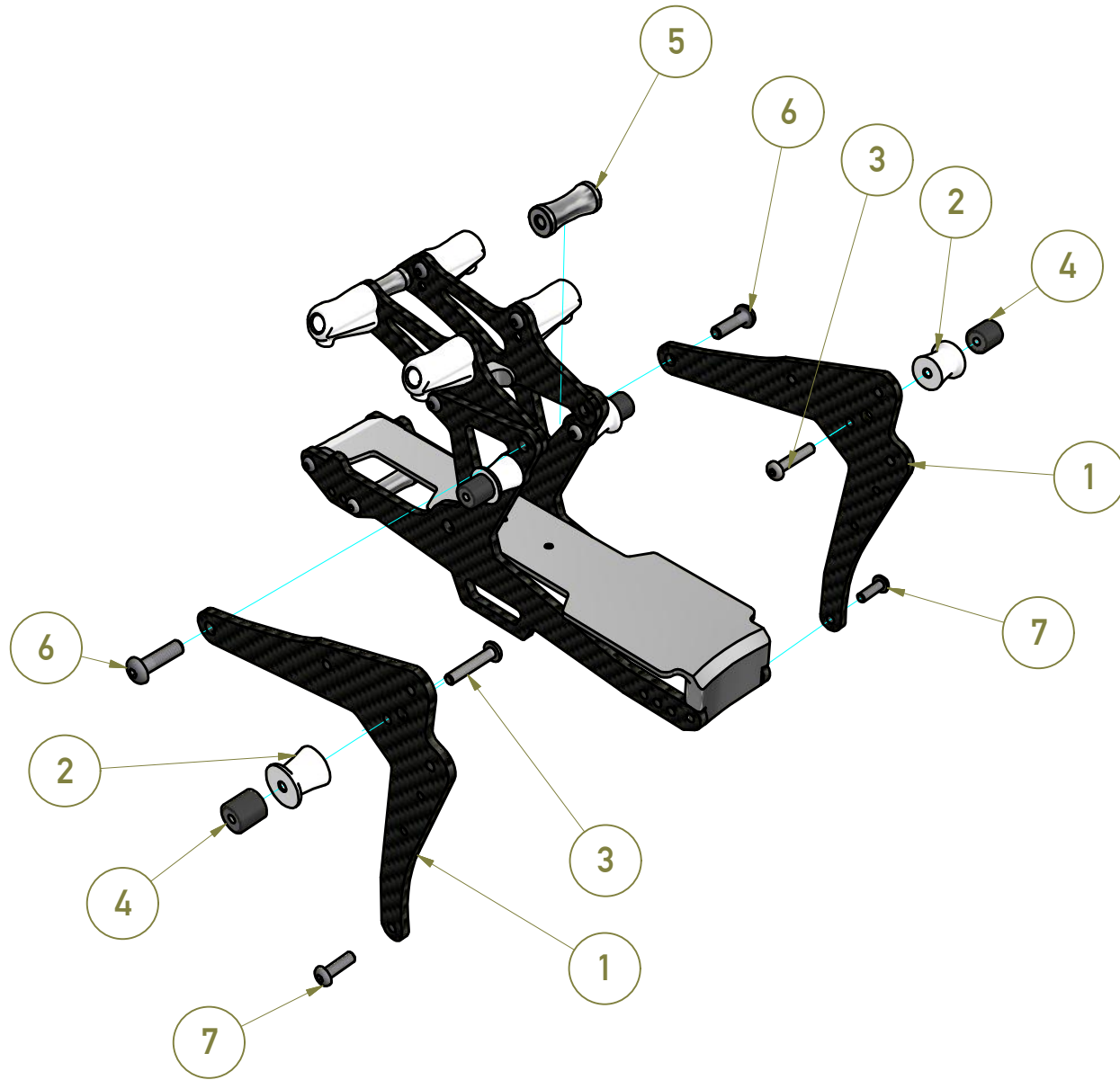


8	2		RH Screw ISO 7380 - M3 x 12
7	1	54022203	Alu Shock Holder Chassis
6	2		RH Screw ISO 7380 - M3 x 6
5	1	54020206	Alu Chassis Spacer 20,8mm M3
4	4		Grubscrew DIN 913 - M3 x 5
3	5		RH Screw ISO 7380 - M3 x 10
2	4	54022103	SLS Crashbarholder
1	2	54022110	Cfk Crashbarholder
Pos	Pcs	Part #	Description

JABBER

RADIO CONTROLLED MOTORBIKES

Front Chassis Assembly

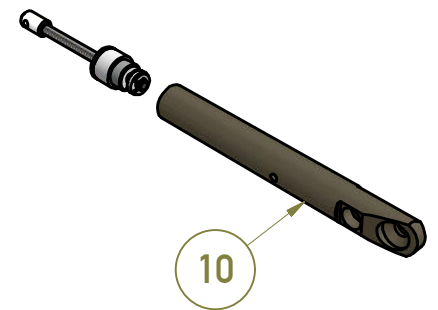
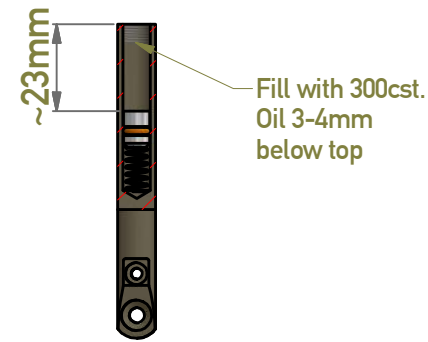
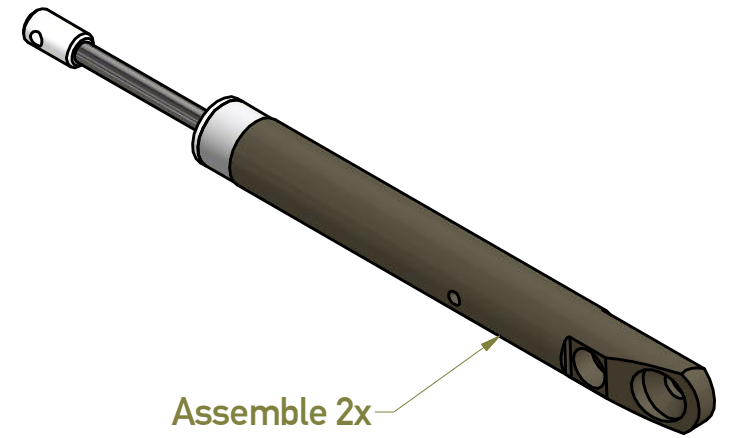
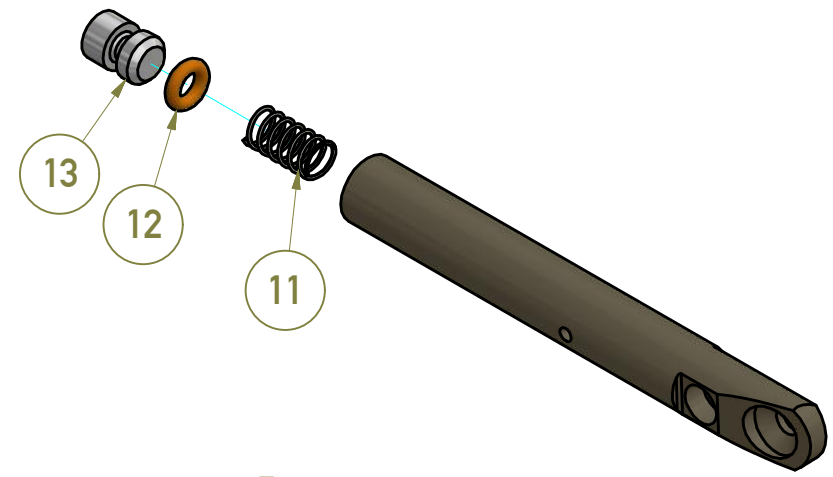
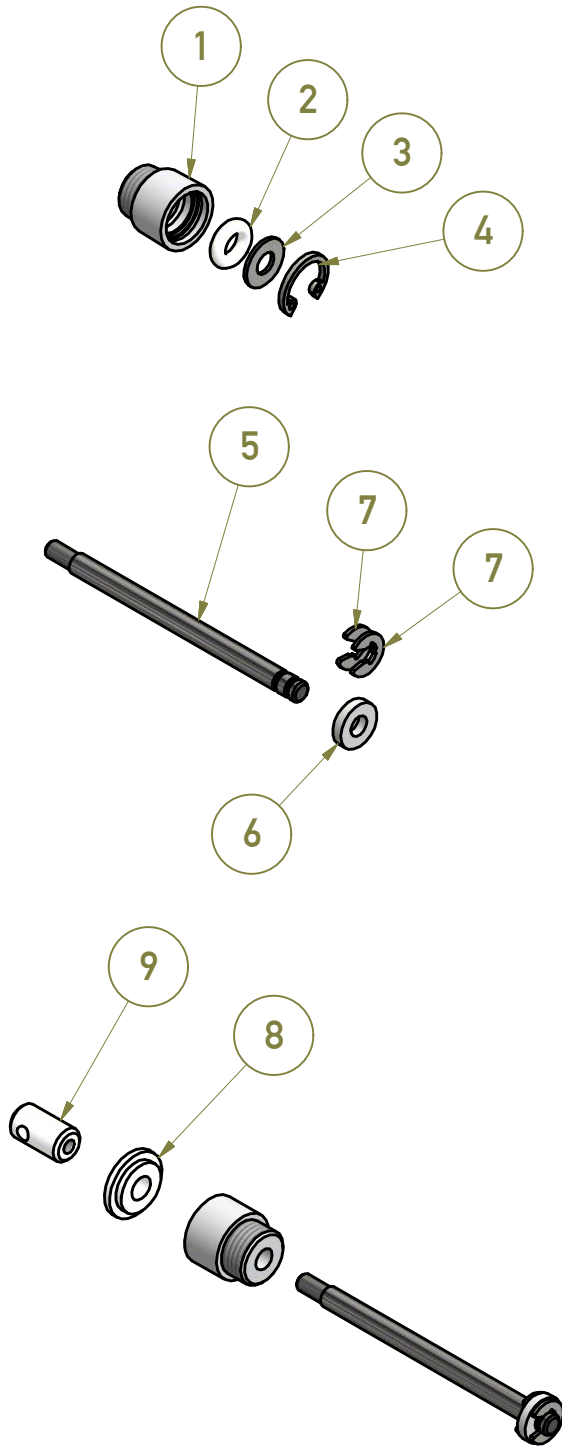


7	2		RH Screw ISO 7380 - M3 x 10
6	2		RH Screw ISO 7380 - M4 x 14
5	1	54020207	Alu Chassis spacer 20,8mm M4
4	2	54020231	Rubber Body Post
3	2		RH Screw ISO 7380 - M3 x 16
2	2	00310110	SLS Bodypost
1	2	54010202	Cfk Chassis front
Pos	Pcs	Part #	Description

JABBER

RADIO CONTROLLED MOTORBIKES

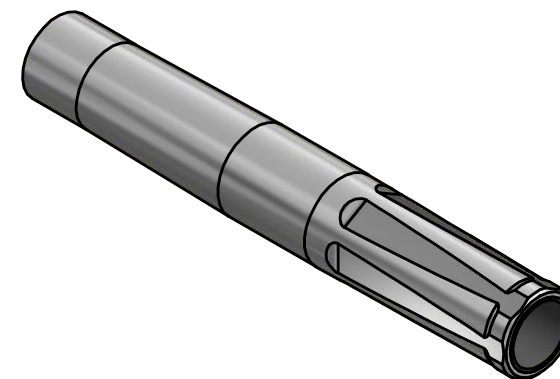
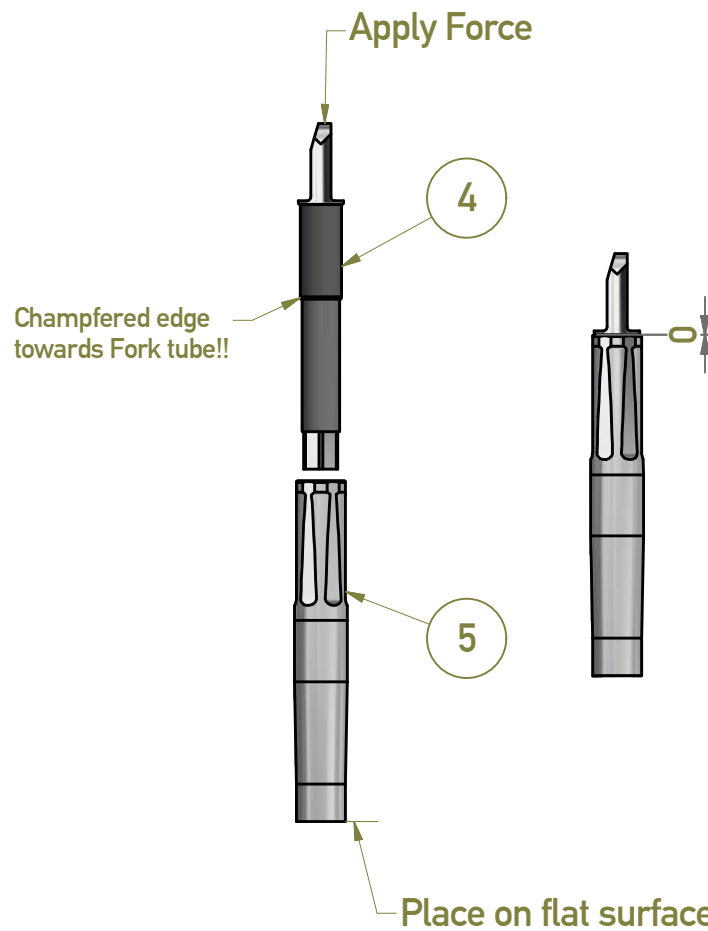
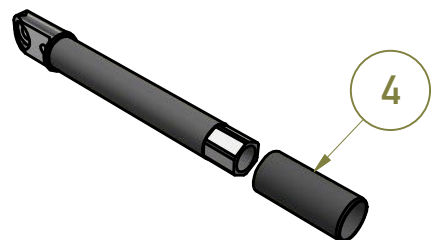
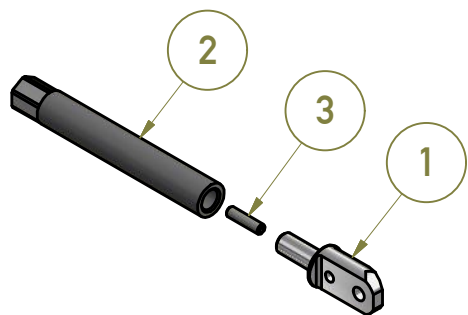
Fork Damper Assembly



13	1	54011213	Floating Piston
12	1	37710000352	O-Ring 3,5x2mm (Di x d)
11	1	00230150	Spring for Floating Piston
10	1	54011203	Fork Slider Shaft 2016 Floating Piston
9	1	54011290	Fork Shock holder
8	1	54011281	Fork Bottom Spring Guide LP
7	2	67990612023	E-Clip Large DIN 6799 - 2,3
6	1	54011260	Fork Shock Piston
5	1	54011251	Fork Shockrod 2016
4	1	4720000808	Retainer Ring DIN 472 - 8x0,8
3	1	200125032	Shim DIN 125 - A 3,2
2	1	37710000302	O-Ring 3x2mm
1	1	54011241	Fork Shockcap LP
Pos	Pcs	Part #	Description

Tool Assembly
Part#54001550
(not included in Kit)

Fork Tube Assembly



5	1	54011301	Fork Slider Tube LP
4	1	54011270	Fork Slider Bushing
3	1	not included	Grubscrew DIN 913 - M3 x 12
2	1	not included	Tool Part 2
1	1	not included	Tool Part 1
Pos	Pcs	Part #	Description

JABBER

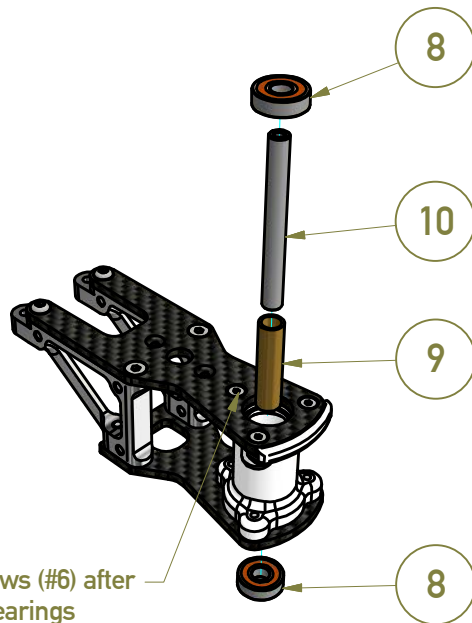
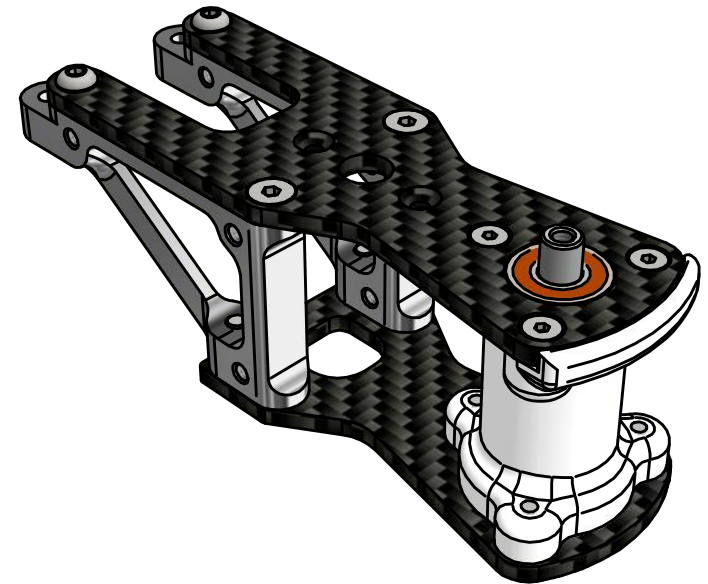
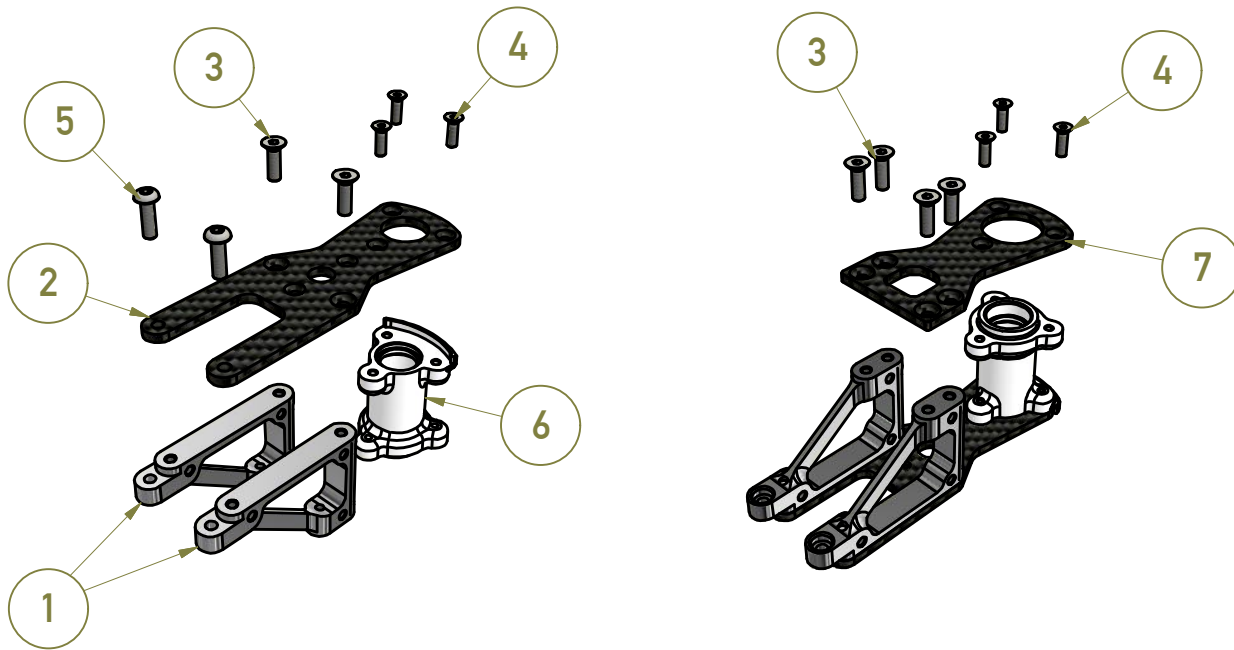
RADIO CONTROLLED MOTORBIKES

Fork Slider Assembly



Pos	Pcs	Part #	Description
6	2		Fork Tube Assembly
5	2	54011230	Fork Top Cap
4	2	63259000210	Pin - 2 x 10 - A
3	2		Fork Damper Assembly
2	1	00220021	Fork Spring 2.1
1	1	00220019	Fork Spring 1.9

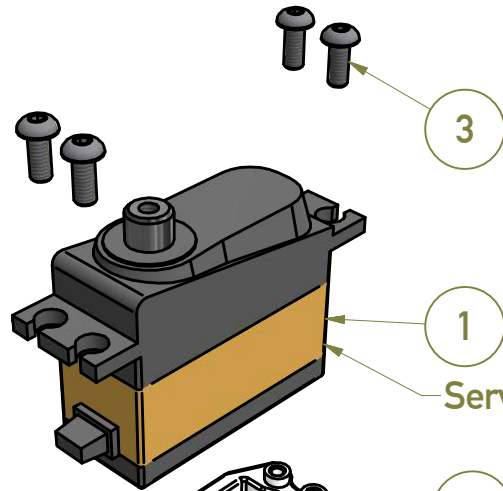
Steering Pivot Assembly



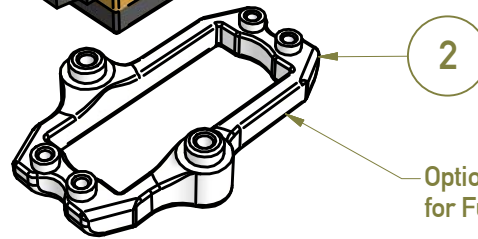
Tip: Tighten Screws (#6) after mounting Ball Bearings

Pos	Pcs	Part #	Description
10	1	54010402	Steering Axle 2016
9	1	00506526	Steering Bushing 2016
8	2	6959513099	Ball Bearing 5x13x4
7	1	54022314	Cfk Steering Pivot Bottom 2023 WRS
6	1	54010303	SLS Steering Pivot
5	2		RH Screw ISO 7380 - M3 x 10
4	6		CS Screw DIN 7991 - M2,5x8
3	6		CS Screw DIN 7991 - M3x10
2	1	54022526	Cfk Steering Pivot Top 2023 WRS
1	2	54022430	Alu Triangle Plate

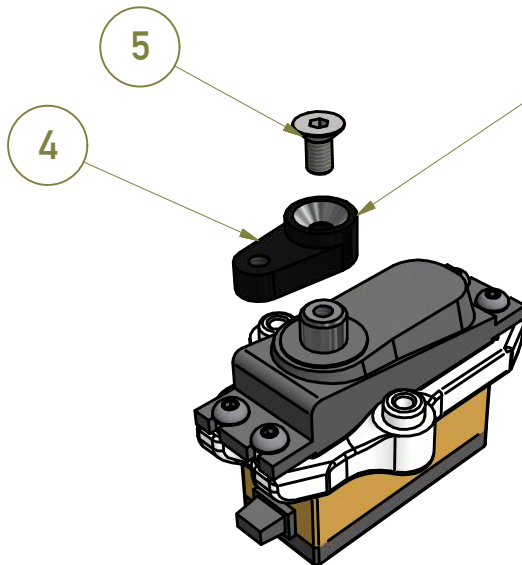
Servo Mount Assembly



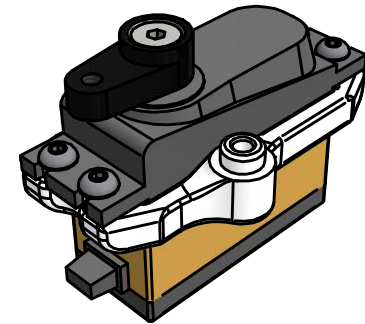
1
Servo not included in Kit.



2
Optional Part #54022523
for Futaba 671 Servos



4
5
Be sure to set the Servo to neutral
with your radio BEFORE mounting
the Servohorn.



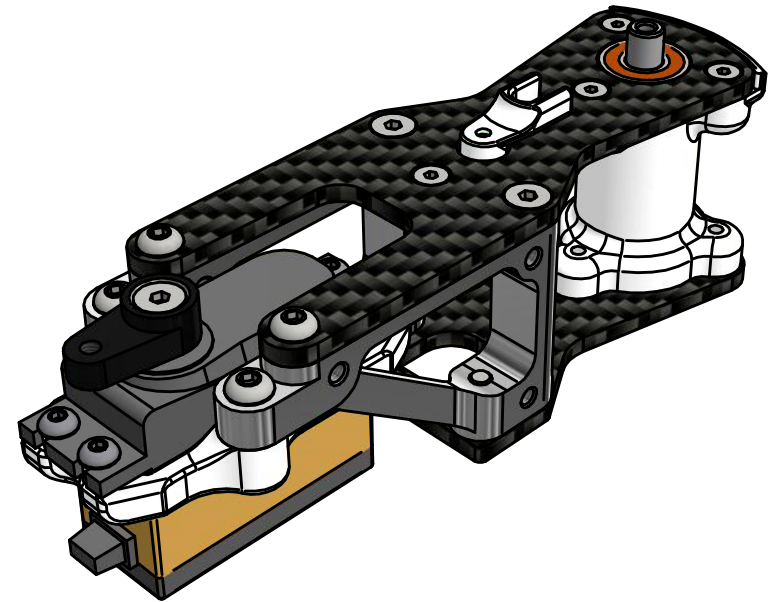
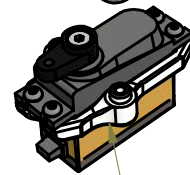
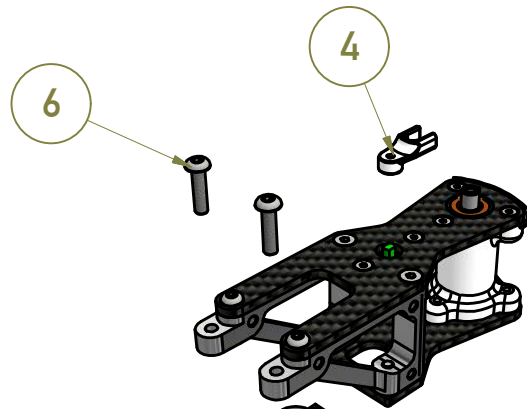
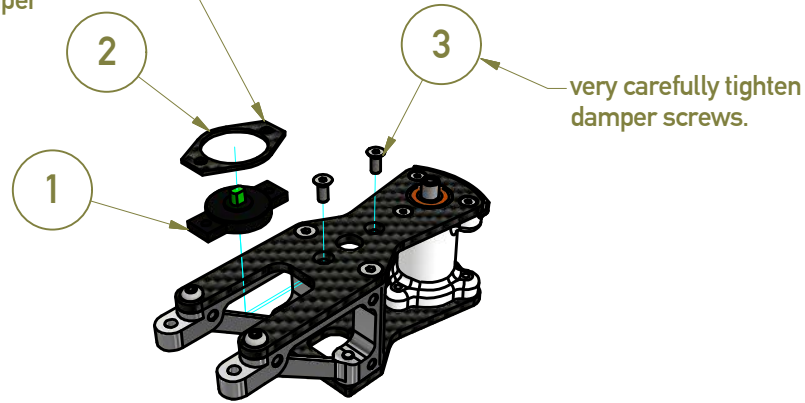
5	1		CS Screw DIN 7991 - M3x6
4	1	00310025	Servohorn 25T
3	4		RH Screw ISO 7380 - M2,5 x 6
2	1	54022524	SLS Servo Holder Savöx 1250
1	1	not included	Servo Savöx SH-1250MG
Pos	Pcs	Part #	Description

JABBER

RADIO CONTROLLED MOTORBIKES

Servo and Steering Damper Assembly

Tip: glue Spacer to damper



Steering Damper Chart
Damping Force

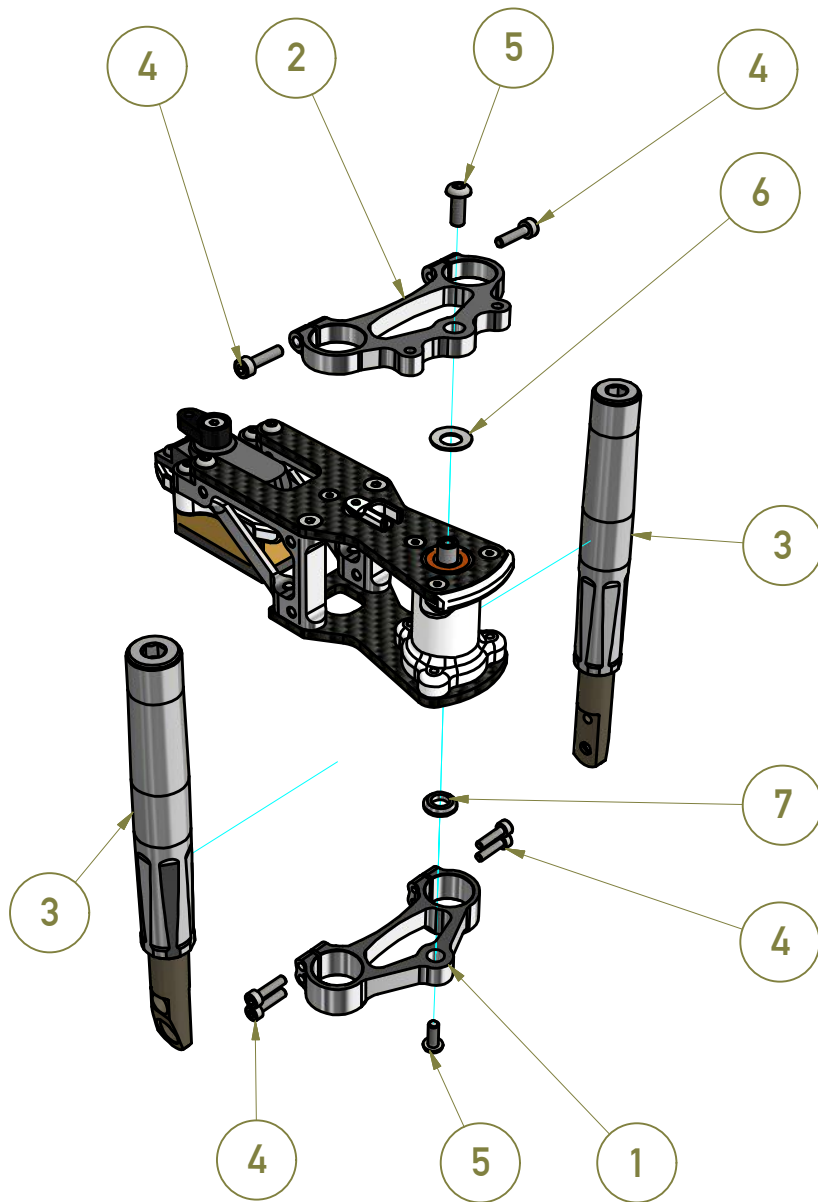
Lever Position Fork Steer	Short		Mid		Long	
	0°	L/R10°	0°	L/R10°	0°	L/R10°
Beige	3,4	3,0	2,7	2,4	2,1	2,0
Yellow	7,1	6,2	5,6	5,1	4,5	4,2
Green	8,6	7,4	6,7	6,1	5,3	5,0
Brown	12,8	11,1	10,0	9,1	8,0	7,5
Black	17,1	14,8	13,4	12,1	10,7	10,0
Red	27,1	23,5	21,2	19,2	16,9	15,8

6	2		RH Screw ISO 7380 - M3 x 12
5	1		Servo Mount Assembly Savöx 1250
4	1	00241000	SLS Damper Lever 2016
3	2		CS Screw DIN 7991 - M2,5x6
2	1	00241002	CfK Steering Damper Spacer
1	1	00241030	Steering Damper Green
Pos	Pcs	Part #	Description

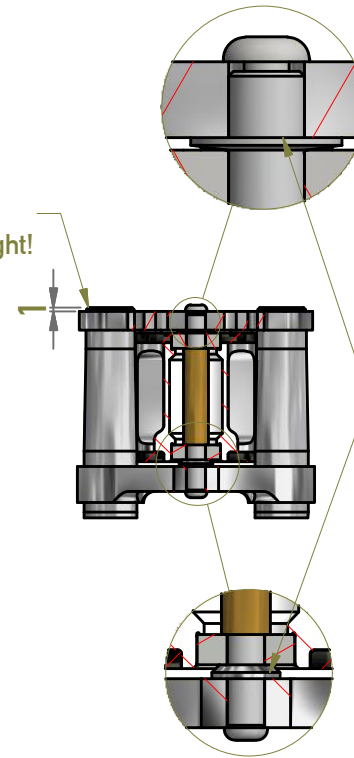
JABBER

RADIO CONTROLLED MOTORBIKES

Final Fork Assembly

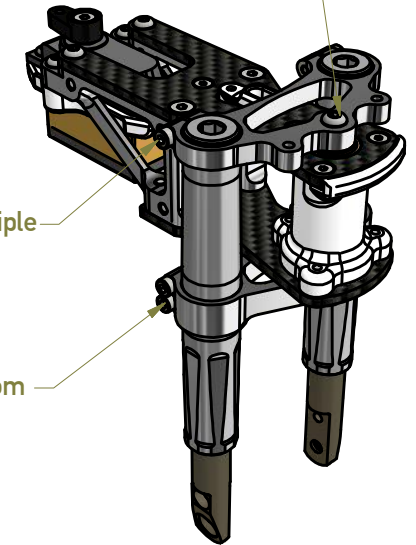


Note initial fork tube height!



Note orientation of shims!

1. tighten the steering axle screws



2.tighten top triple screws

3. tighten bottom triple screws

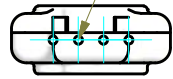
7	1	52850200	Shim ø5x2 mm
6	1	20935210075	Bevel Shim 5,2x10x0,75
5	2		RH Screw ISO 7380 - M3 x 8
4	6		CH Screw ISO 4762 - M2,5 x 10
3	2		Fork Slider Tube Assembly
2	1	54011331	Fork Triple Clamp 2013 Top OS16
1	1	54011351	Fork Triple Clamp 2013 Bottom OS16
Pos	Pcs	Part #	Description

JABBER

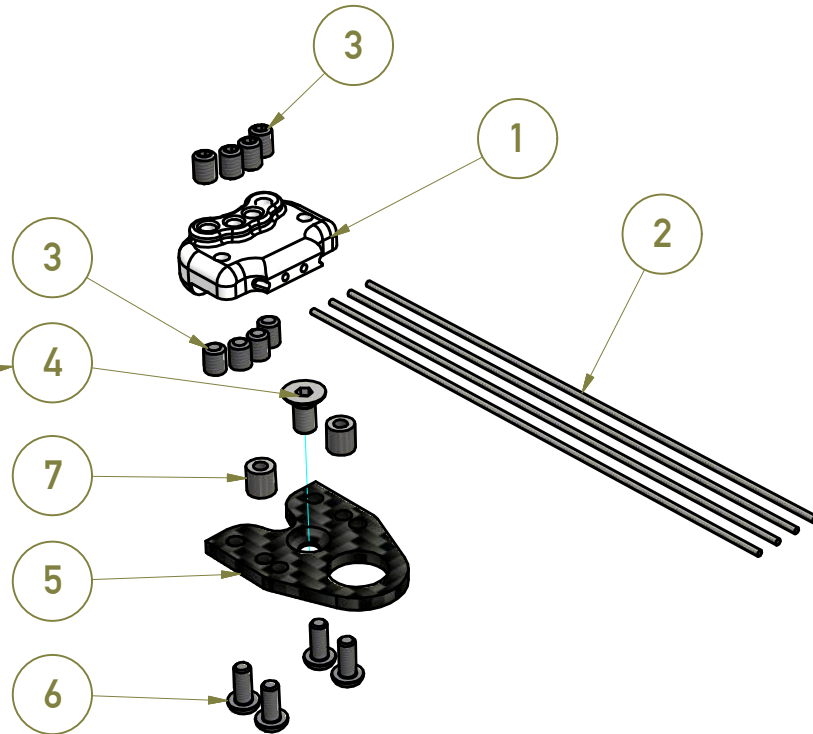
RADIO CONTROLLED MOTORBIKES

Steering Spring Assembly

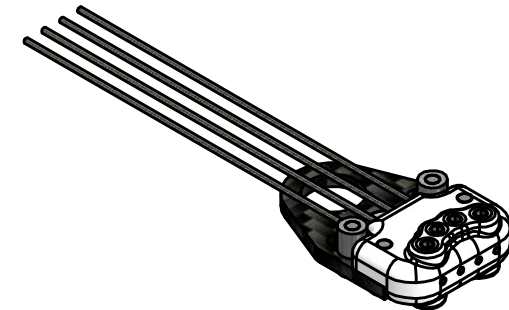
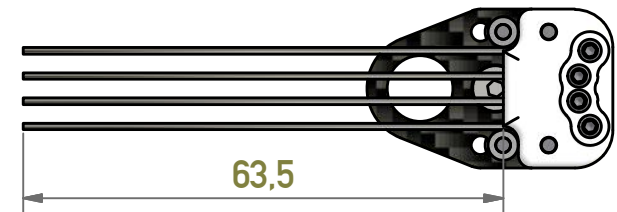
Use additional spring to carefully clear holes and free them from remaining material.
Do not drill the holes!



Do not forget to position Screw (4) in Part (5) before mounting Part (1) or the Springs (2)



Adjust springs parallel to Carbon plate with grubscrews (top&bottom)

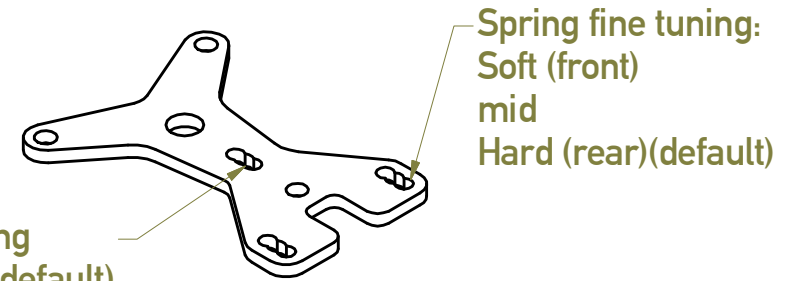
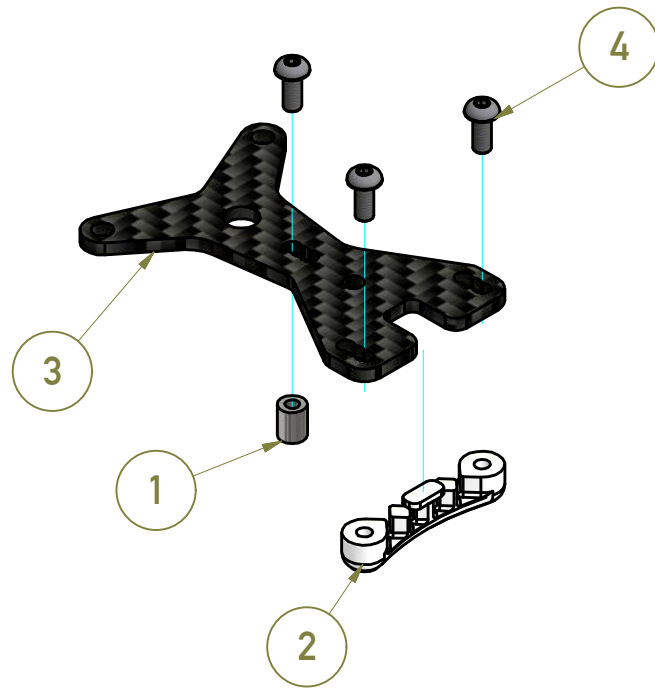


Steering Spring Chart

	Part #	Description	
Soft	00240085	0,85mm Steering Spring	Kit
	00240090	0,90mm Steering Spring	Option
	00240095	0,95mm Steering Spring	Option
	00240100	1,00mm Steering Spring	Option
	00240105	1,05mm Steering Spring	Option
	00240110	1,10mm Steering Spring	Option
	00240115	1,15mm Steering Spring	Option
Hard	00240120	1,20mm Steering Spring	Option

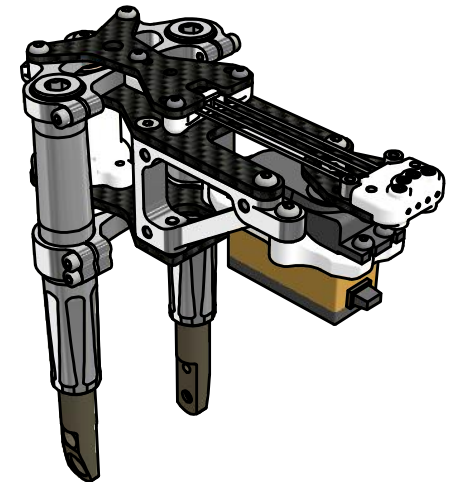
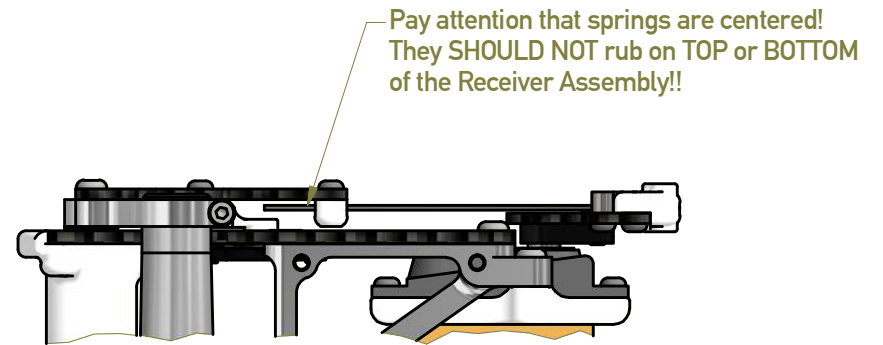
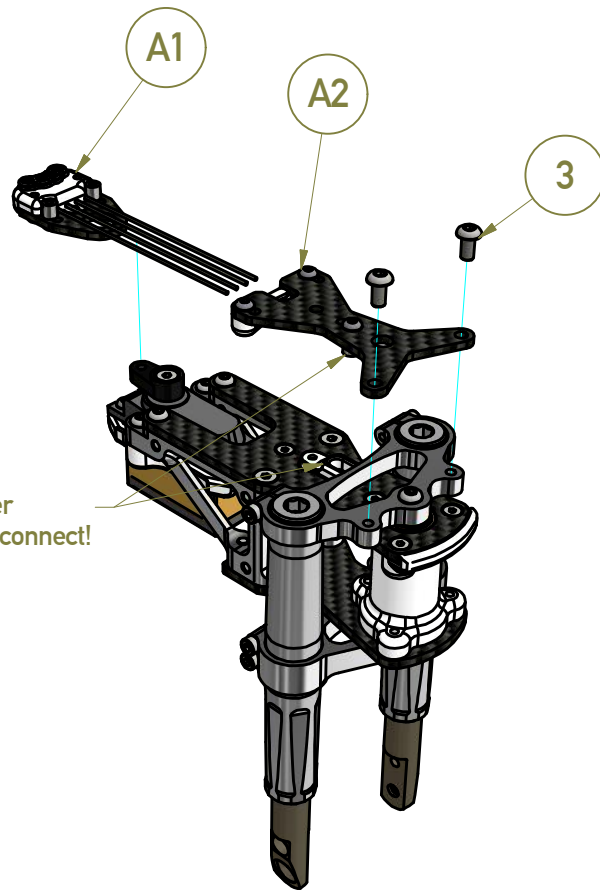
Pos	Pcs	Part #	Description
7	2	00314040	Post for Springs 4mm
6	4		RH Screw ISO 7380 - M2,5 x 6
5	1	00310001	CfK Steering Extender
4	1		CS Screw DIN 7991 - M3x6
3	8		Grubscrew DIN 913 - M3 x 4
2	4	00240085	0,85mm Steering Spring
1	1	00310012	SLS Spring Holder quad

Steering Spring Receiver Assembly



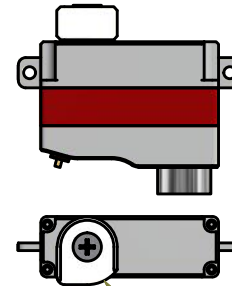
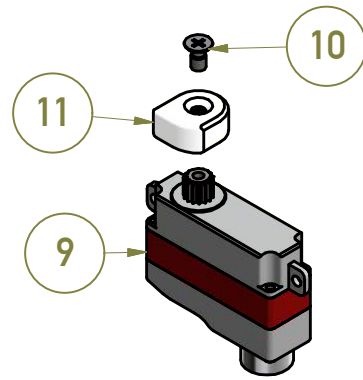
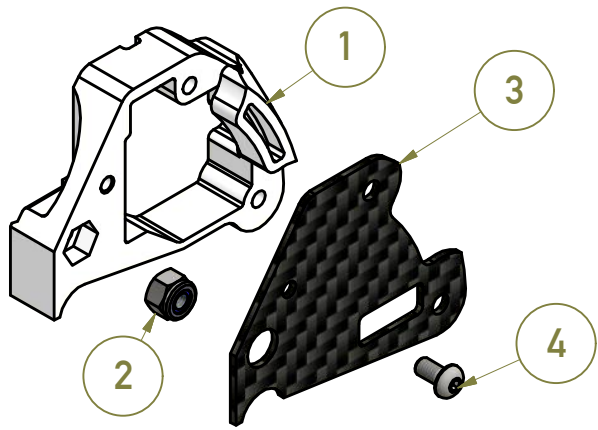
4	3		RH Screw ISO 7380 - M2,5 x 6
3	1	54013103	Cfk Steering Plate 2023
2	1	00310013	SLS Spring Receiver
1	1	00314050	Post for Damper
Pos	Pcs	Part #	Decription

Final Steering Assembly



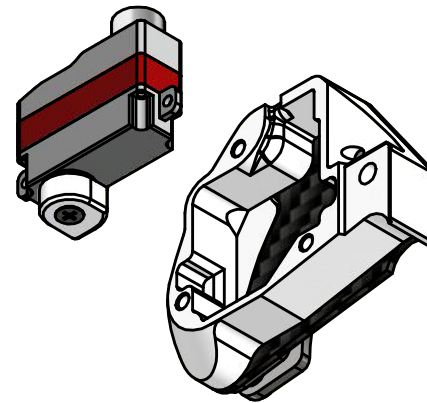
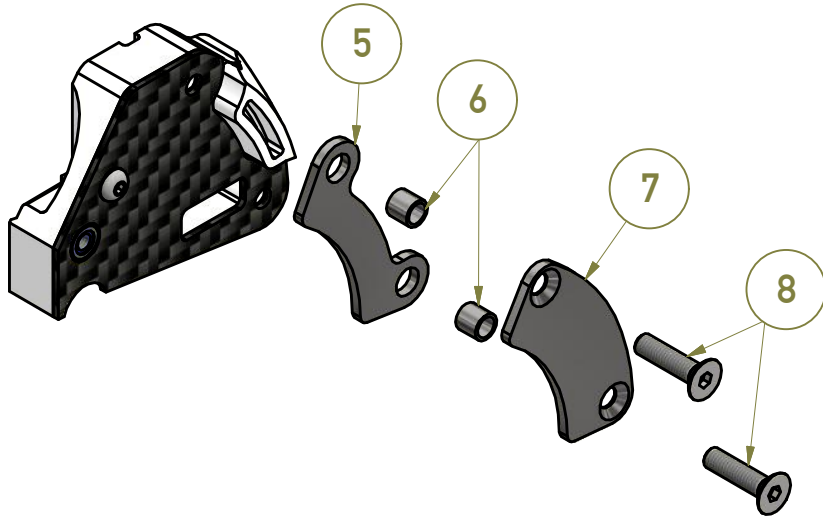
3	2		RH Screw ISO 7380 - M3 x 6
A2	1		Spring Receiver Assembly
A1	1		Servo Spring Assembly
Pos	Pcs	Part #	Description

Front Brake Assembly

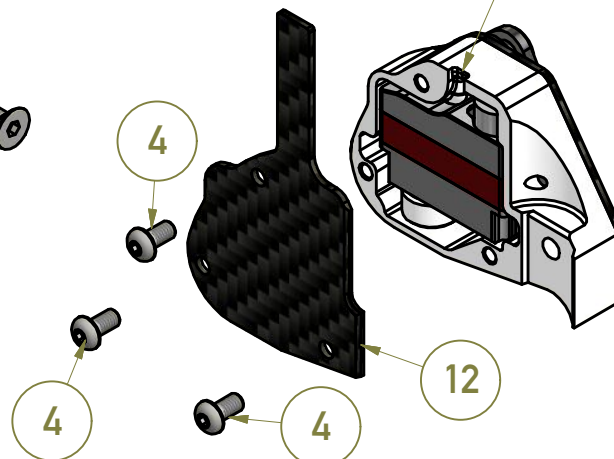
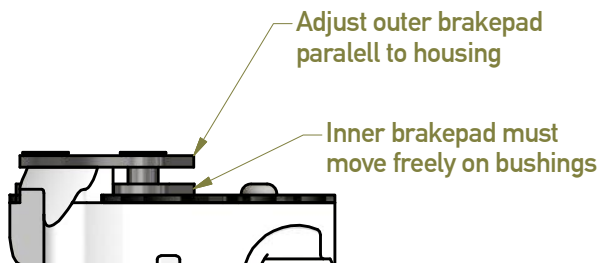
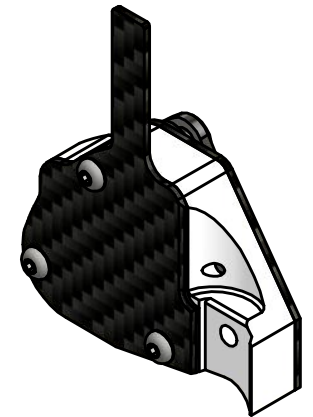


Rotation direction

Adjust rotation direction, brake cam position, and endpoints BEFORE mounting servo!!



Carefully route cable!!

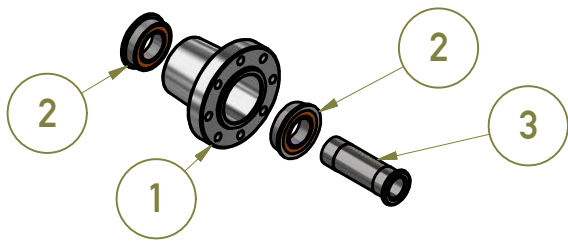


12	1	54012422	CfK Outer Brake Cover 2023
11	1	54012202	Brake Excenter 2023 C
10	1		Servohorn screw (on Servo)
9	1		Servo KST-X08H
8	2		CS Screw M3x12
7	1	54012112	Stainless Brakepad Outer 2023
6	2	00314037	Bushing for Brakepads
5	1	54012122	Stainless Brakepad Inner 2023
4	4		RH Screw M2,5 x 5
3	1	54012412	CfK Inner Brake Cover 2023
2	1		M3 Safety nut
1	1	54012404	SLS Brakeservo Holder 2023
Pos	Pcs	Part #	Description

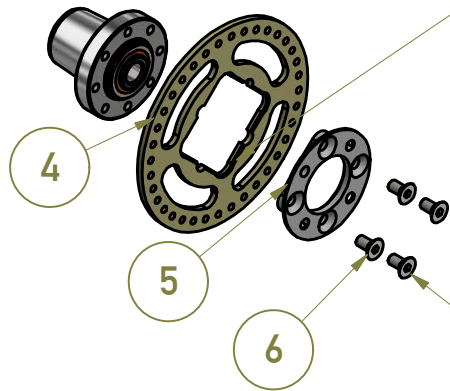
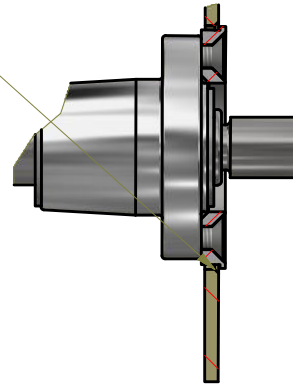
JABBER

RADIO CONTROLLED MOTORBIKES

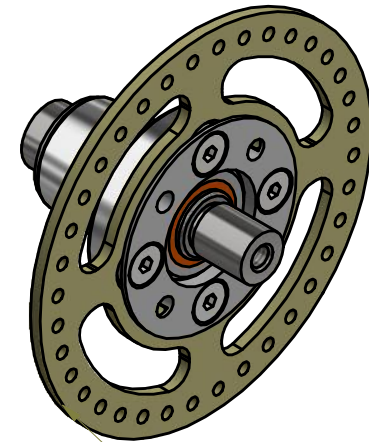
Front Hub Assembly



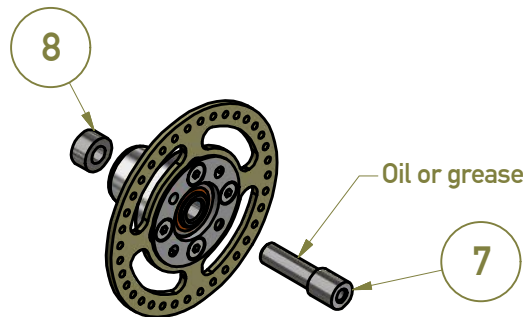
Note chamfer orientation towards Part 5!



Threadlock screws. Tighten screws VERY carefully! Make sure Brake disc floats freely!



Disc should float freely on Disc Mount (5)



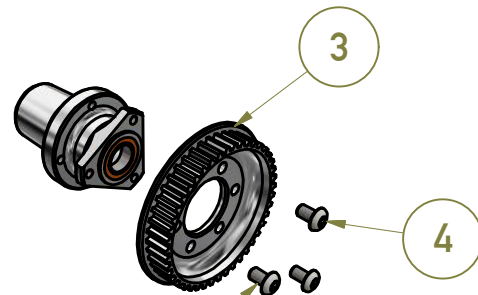
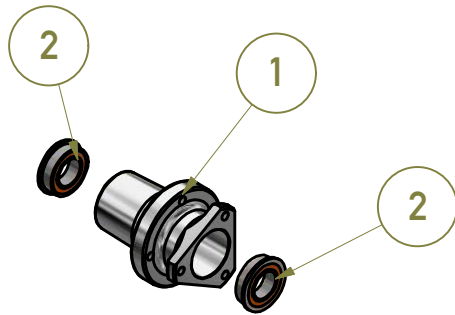
Oil or grease

8	1	54012334	Shim 5x10x5,2 for GRP
7	1	54012507	Axle inner front 2023 GRP
6	4		CS Screw M3x6
5	1	54012340	Brake Disc Mount
4	1	54012103	GFK Brakedisc 2023 II
3	1	54012503	Axle outer front 2016
2	2	MF148ZZ	Ball Bearing flanged 8x14x4 (0.8x15,6)
1	1	54012303	Hub Front 2023 GRP
Pos	Pcs	Part #	Description

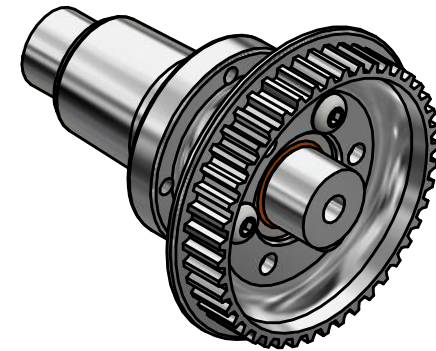
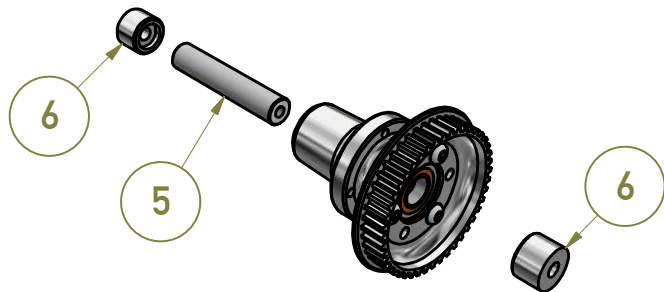
JABBER

RADIO CONTROLLED MOTORBIKES

Rear Hub Assembly



Threadlock Screws

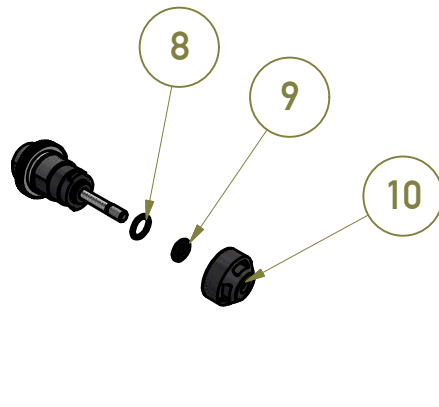
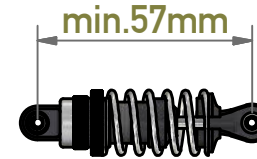
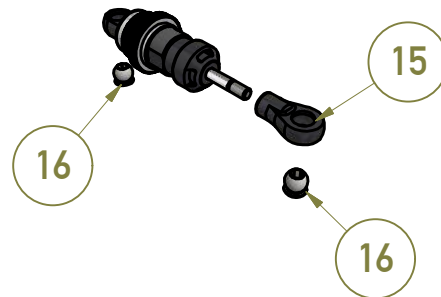
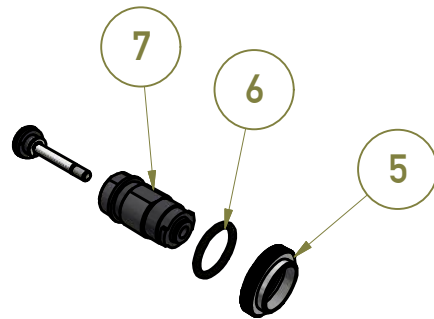
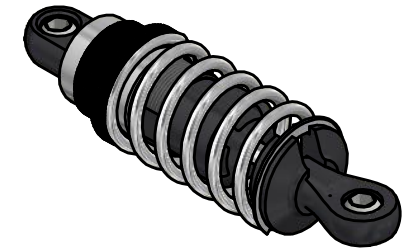
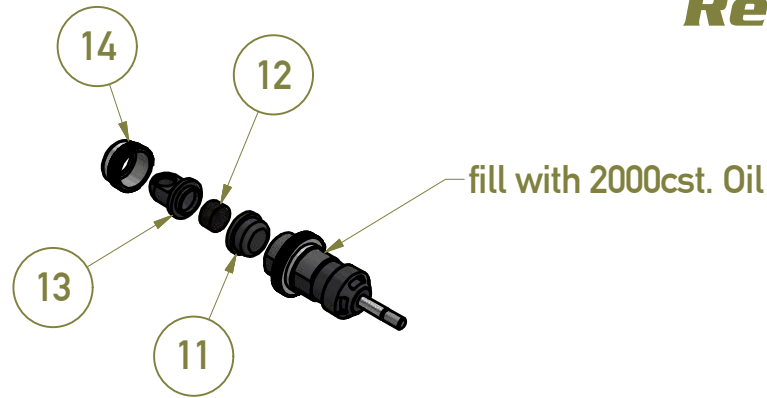
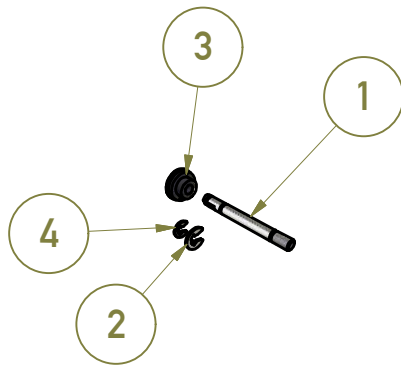


6	2	54032332	Sideshim 8mm 2016
5	1	54030152	Axle Rear 2016
4	3		RH Screw ISO 7380 - M3 x 5
3	1	54030442	Belt Spur 44T 2016
2	2	MF148ZZ	Ball Bearing flanged 8x14x4 (0.8x15,6)
1	1	54030022	Hub Rear 2023 GRP
Pos	Pcs	Part #	Description

JABBER

RADIO CONTROLLED MOTORBIKES

Rear Shock Assembly

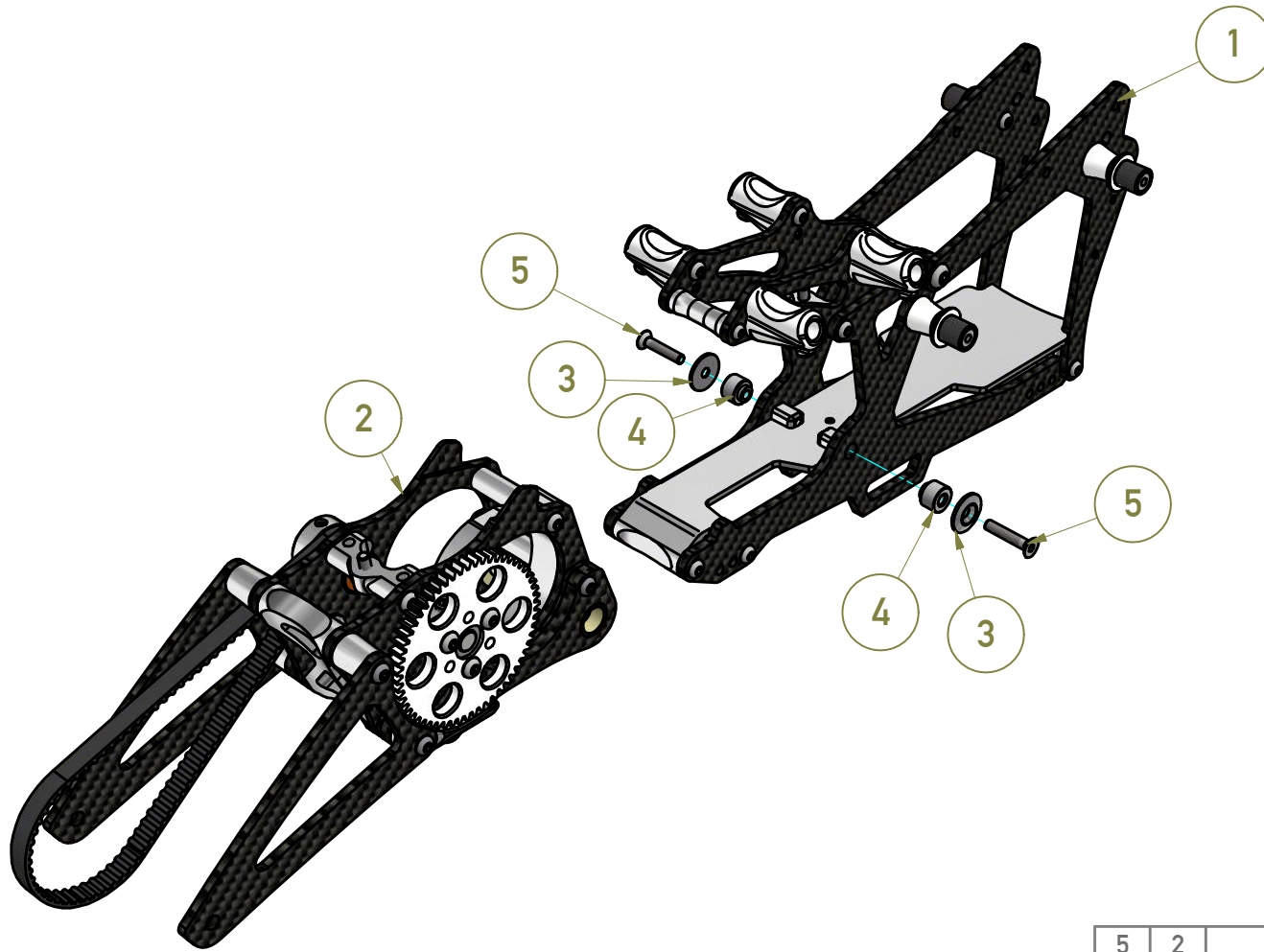


18	1	308301	Spring Retainer
17	1	S160325	Spring
16	2	308301	Pivot Balls
15	1	308301	Balljoint
14	1	308301	Shock Cap Nut
13	1	308301	Top Cap
12	1	308301	Foam Insert
11	1	308301	Diaphragma
10	1	308301	End Cap
9	1	308301	O-Ring 3x1,5mm (Di x d)
8	1	308301	O-Ring 5x1mm (Di x d)
7	1	308301	Shock Body
6	1	308301	O-Ring 12x1,5mm (Di x d)
5	1	308301	Spring Adjusting Collar
4	1		Small E-Clip DIN 6799 - 1,9
3	1	308301	Piston 4 Holes
2	1		Large E-Clip DIN 6799 - 2,3
1	1	308301	Shockrod
Pos	Pcs	Part #	Description

JABBER

RADIO CONTROLLED MOTORBIKES

Swingarm and Chassis Final Assembly

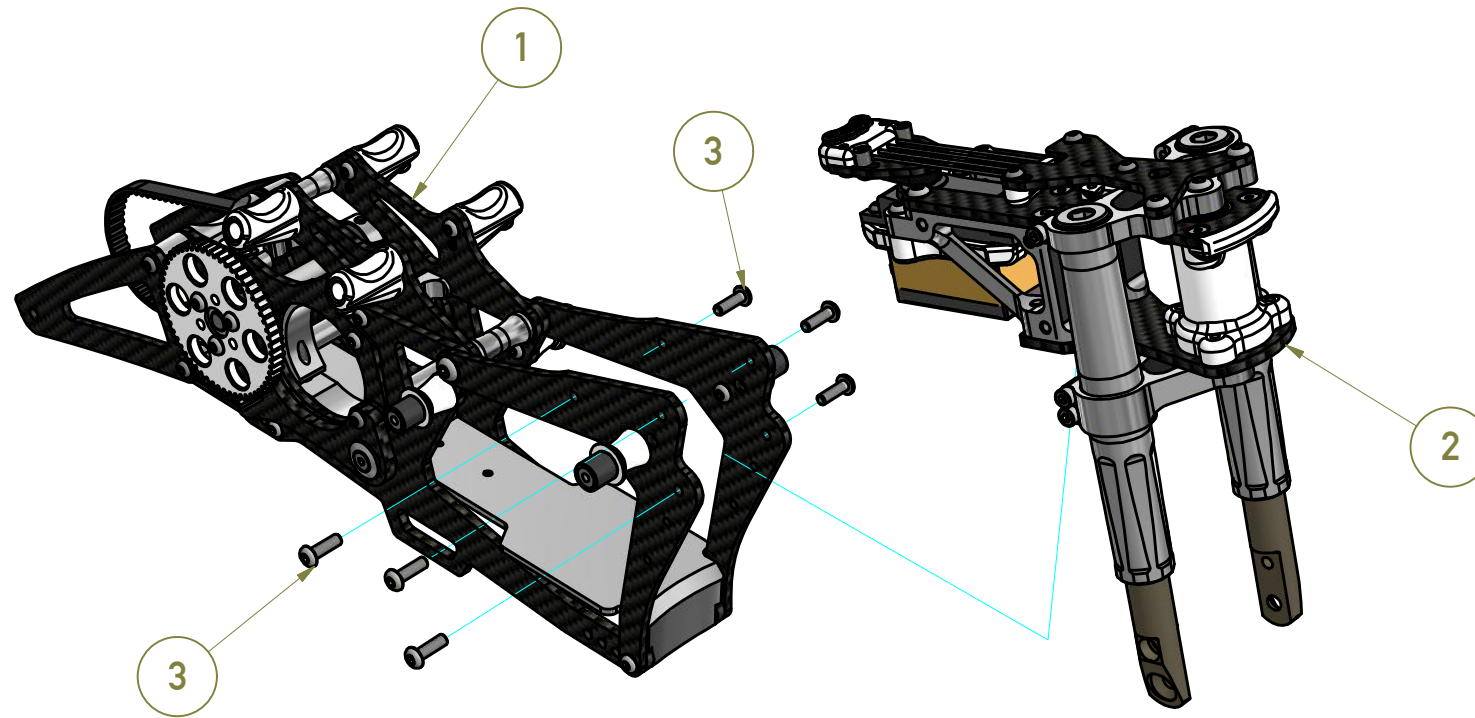


5	2		CS Screw DIN 7991 - M3x16
4	2	54030242	Swingarm Pivot
3	2	52900401	Pivot Shim ø3
2	1		Swingarm Assembly
1	1		Chassis Assembly
Pos	Pcs	Part #	Description

JABBER

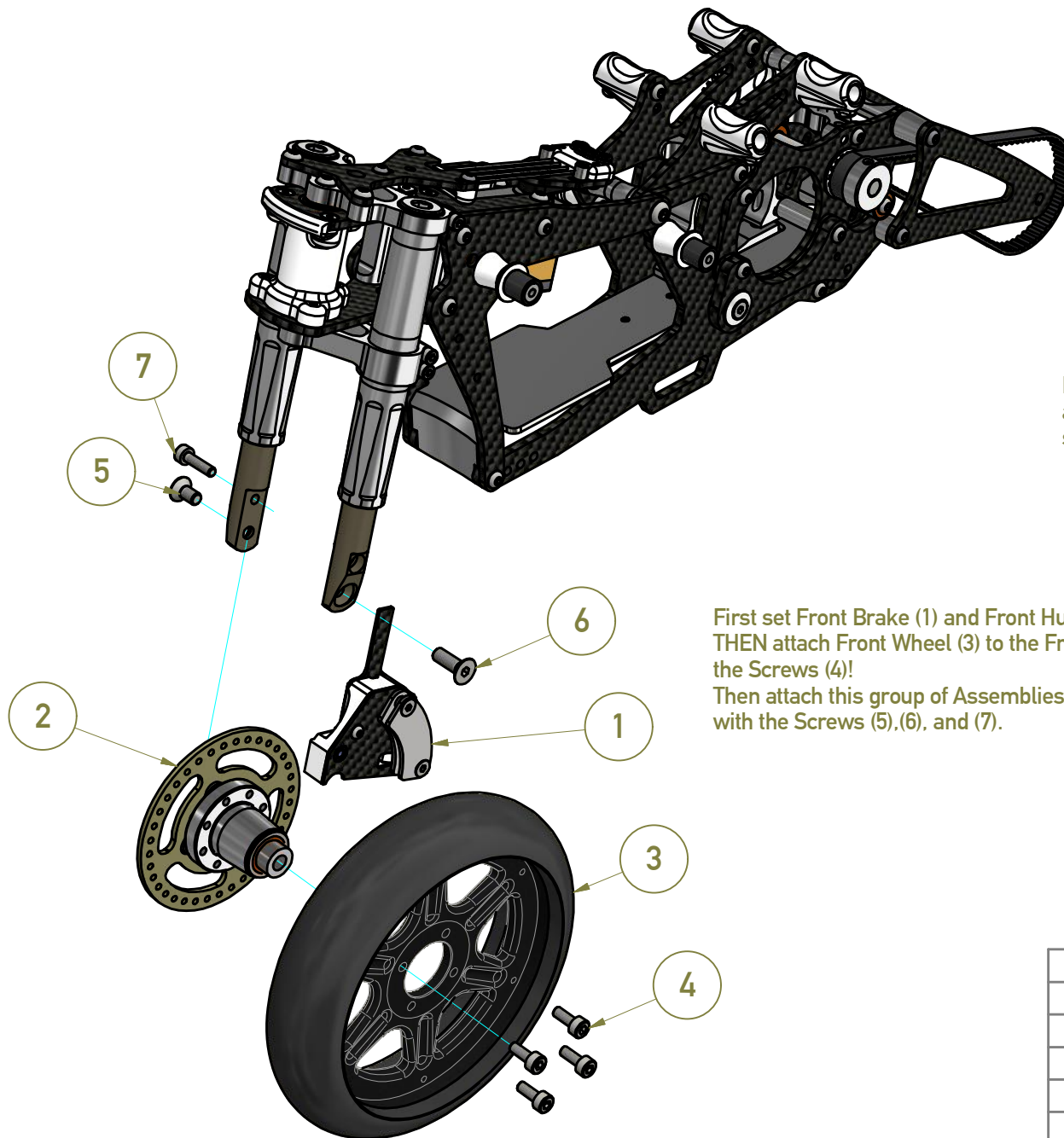
RADIO CONTROLLED MOTORBIKES

Headstock and Chassis Final Assembly



3	6		RH Screw ISO 7380 - M3 x 10
2	1		Headstock Assembly
1	1		Chassis Assembly
Pos	Pcs	Part #	Description

Front Wheel and Brake Final Assembly



In case Screw (7) is slightly too long and rubs on the Brake Disc Mount shorten it.

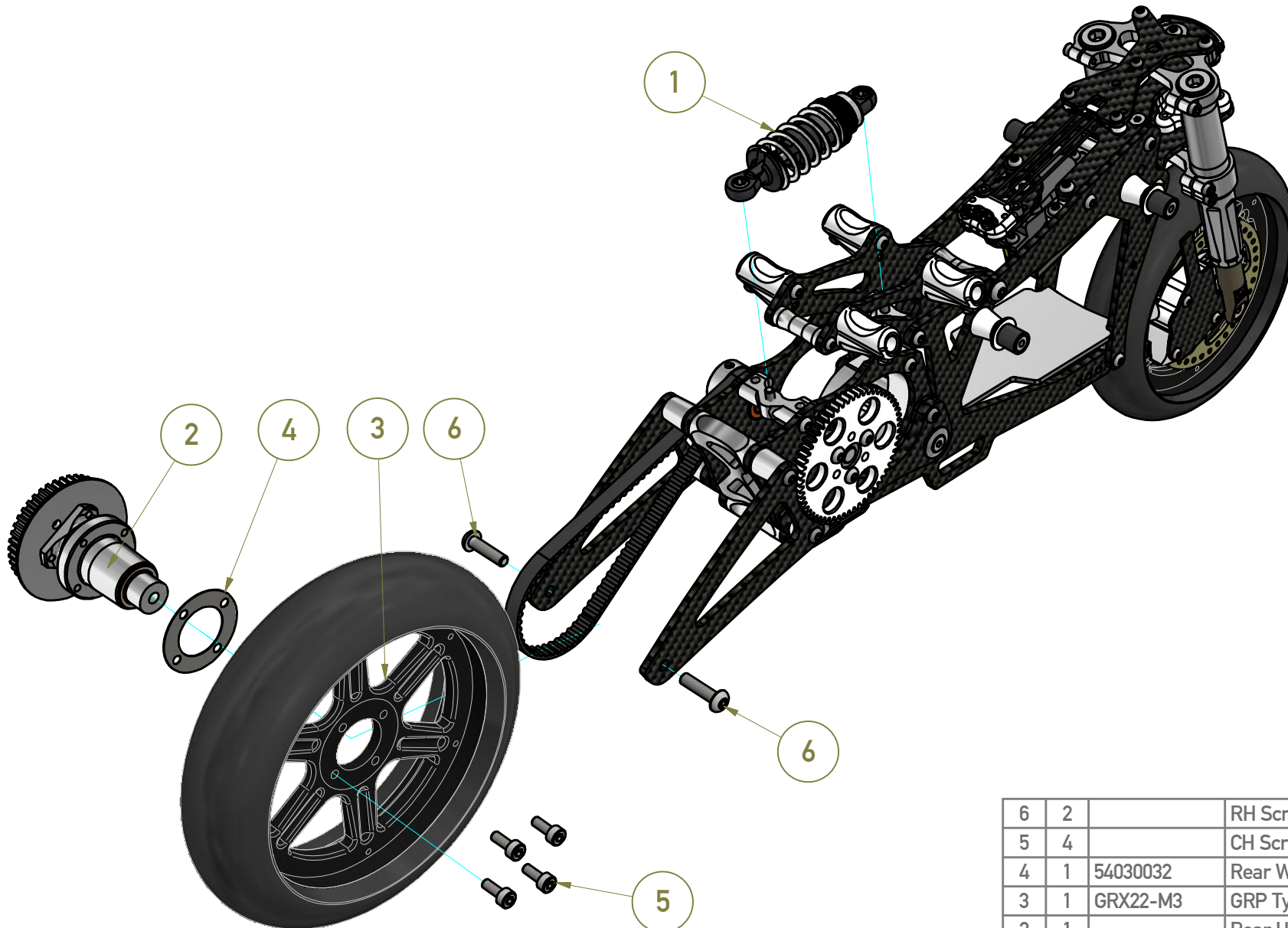
First set Front Brake (1) and Front Hub (2) together THEN attach Front Wheel (3) to the Front Hub with the Screws (4)! Then attach this group of Assemblies to the Fork with the Screws (5),(6), and (7).

7	1		CH Screw ISO 4762 - M3 x 12
6	1		CS Screw DIN 7991 - M4x12
5	1		CS Screw DIN 7991 - M4x8
4	4		CH Screw ISO 4762 - M3 x 8
3	1	GRX12-M3	GRP Front Wheel
2	1		Front Hub Assembly
1	1		GRP Front Brake 2023
Pos	Pcs	Part #	Description

JABBER

RADIO CONTROLLED MOTORBIKES

Rear Wheel and Shock Final Assembly

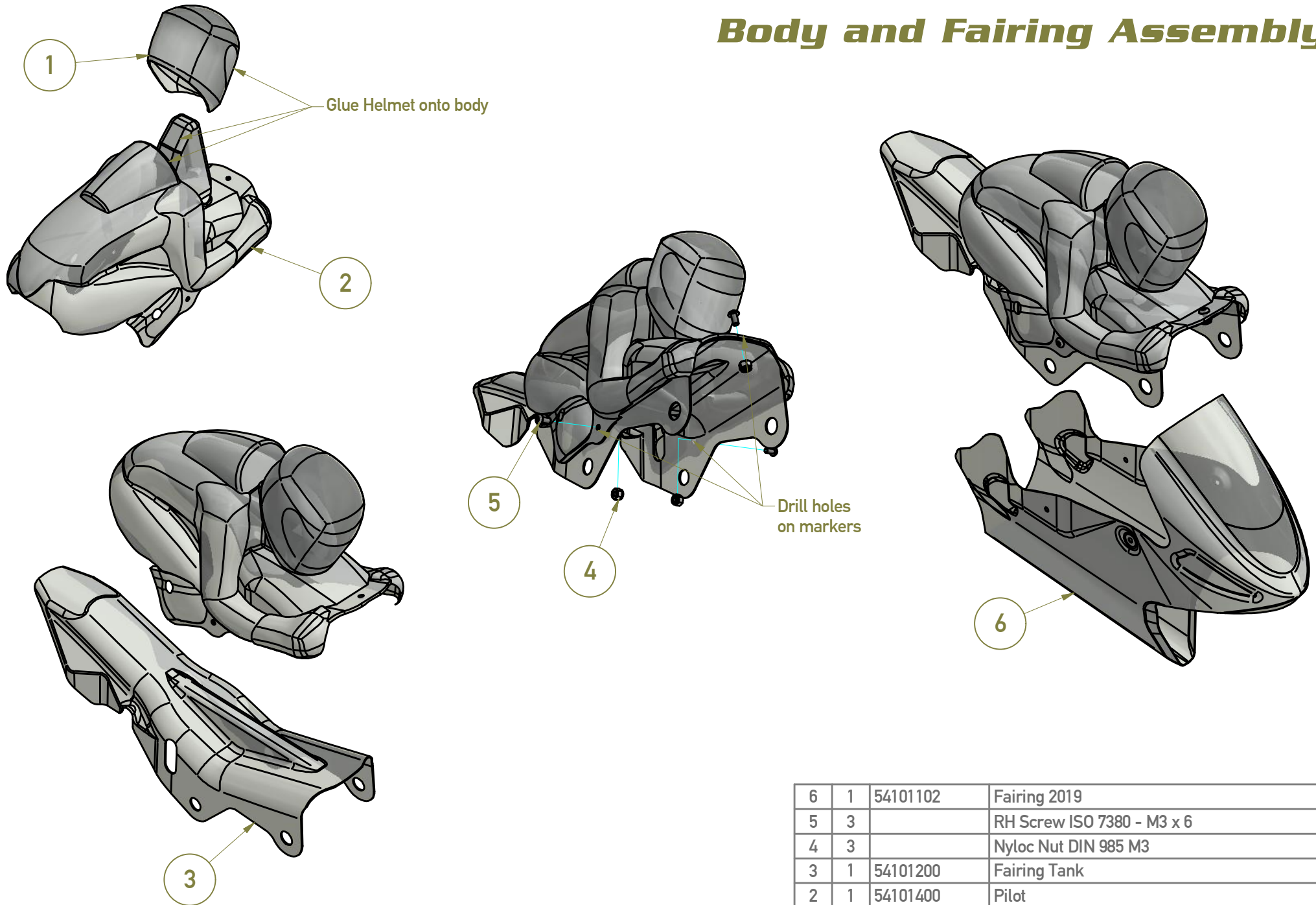


Pos	Pcs	Part #	Description
6	2		RH Screw ISO 7380 - M4 x 16
5	4		CH Screw ISO 4762 - M3 x 8
4	1	54030032	Rear Wheel Spacer for GRP
3	1	GRX22-M3	GRP Tyre Rear GRX22
2	1		Rear Hub Assembly
1	1	308301	Rear Shock Standard

JABBER

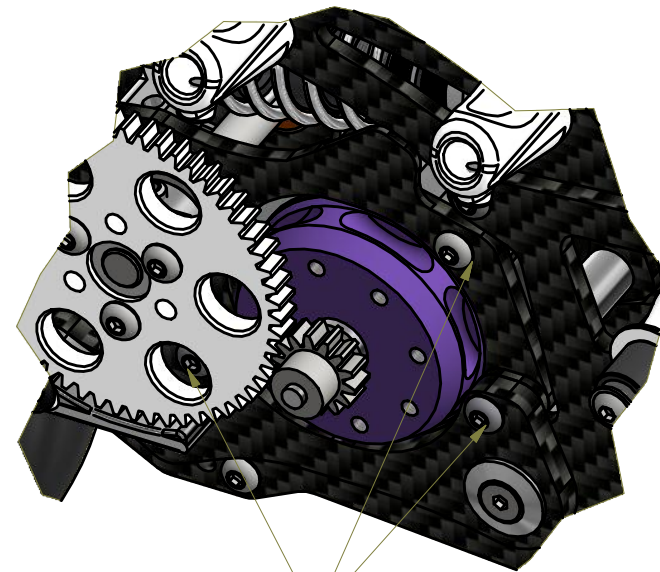
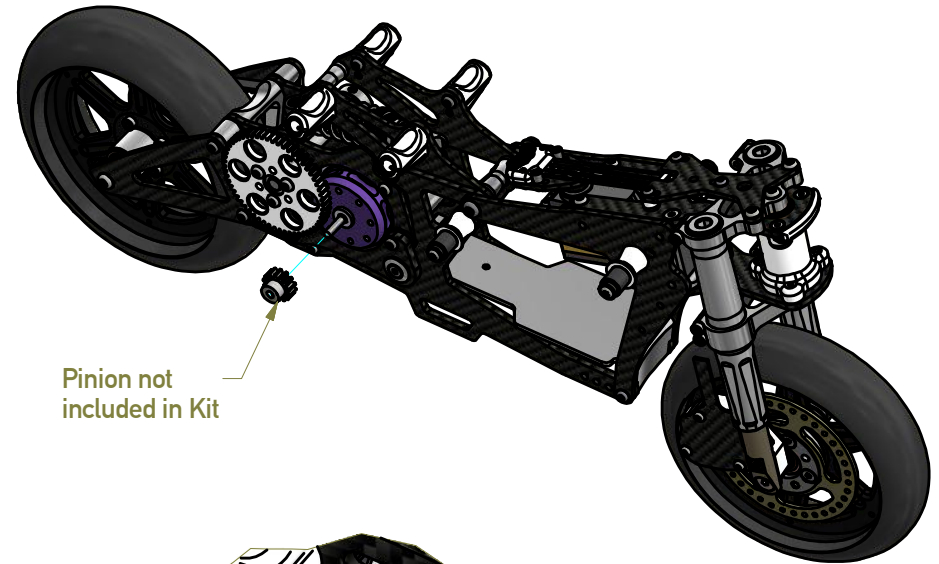
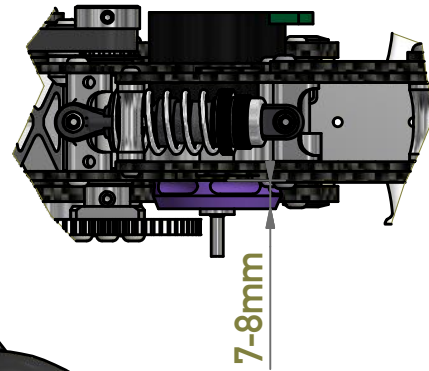
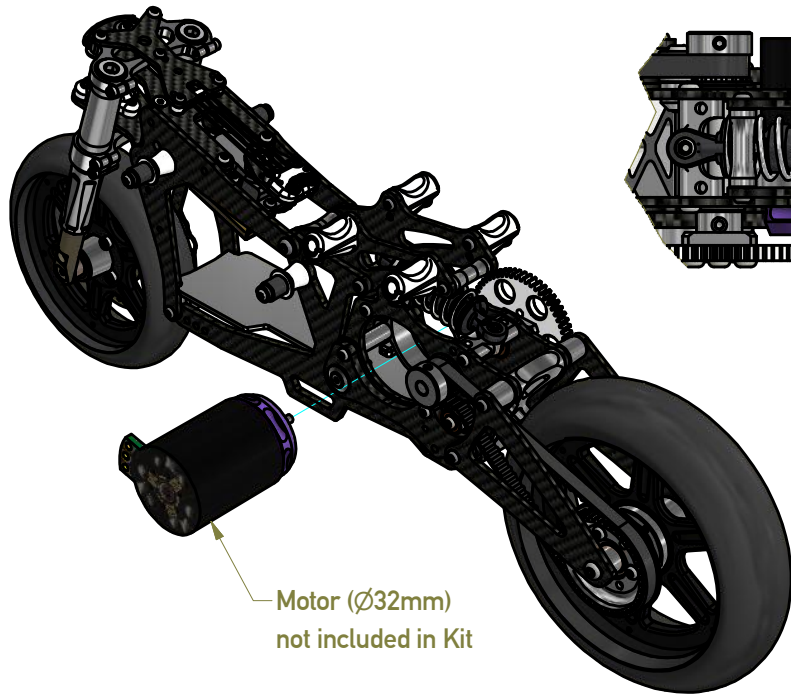
RADIO CONTROLLED MOTORBIKES

Body and Fairing Assembly

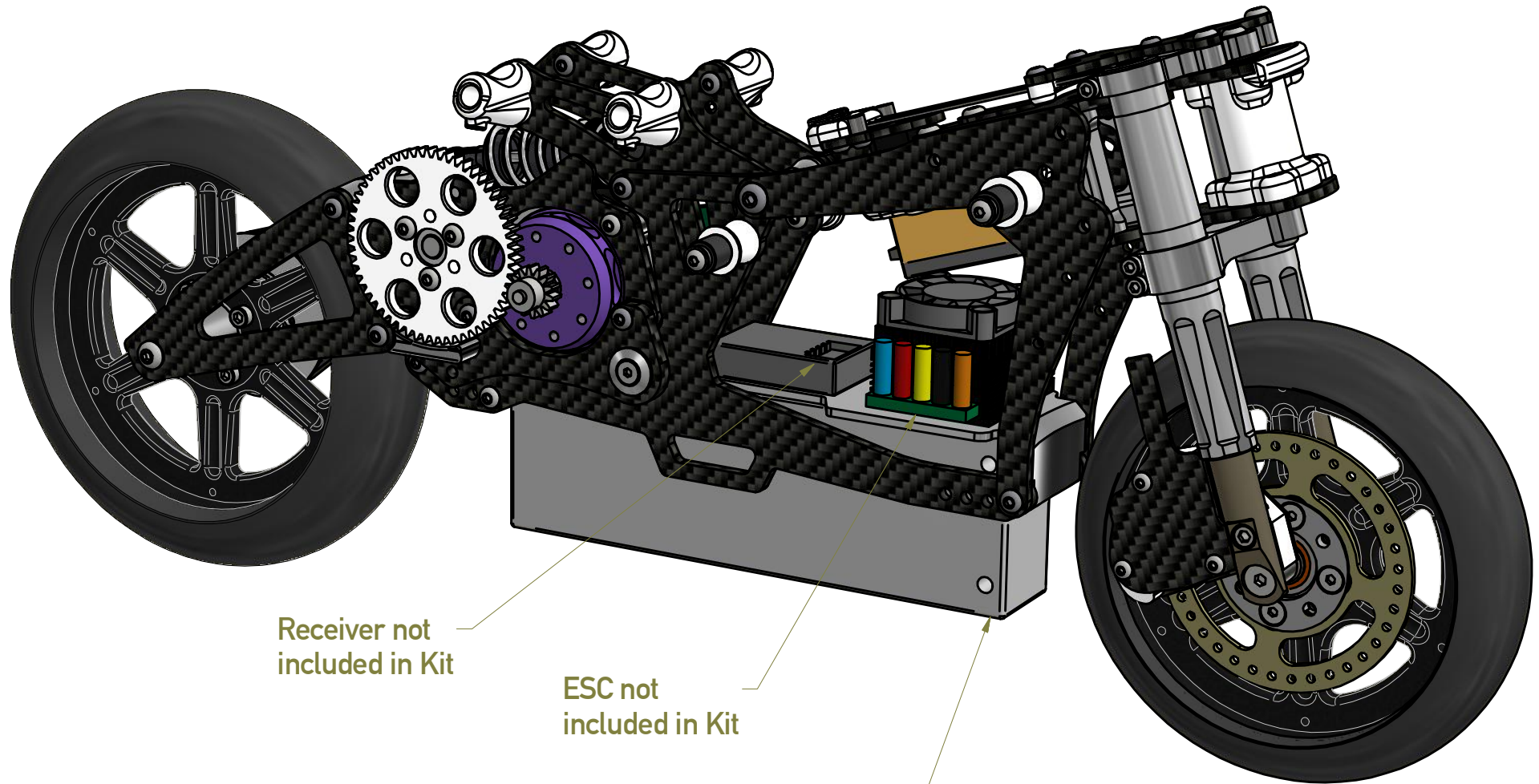


6	1	54101102	Fairing 2019
5	3		RH Screw ISO 7380 - M3 x 6
4	3		Nyloc Nut DIN 985 M3
3	1	54101200	Fairing Tank
2	1	54101400	Pilot
1	1	54101300	Helmet
Pos	Pcs	Part #	Description

Motor Mounting and Gear Adjustment



Recommended Electronics Position



Receiver not included in Kit

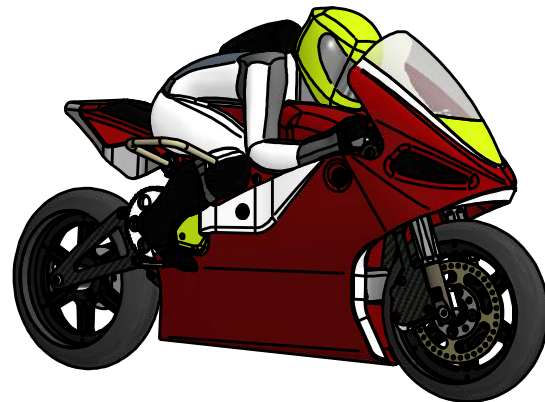
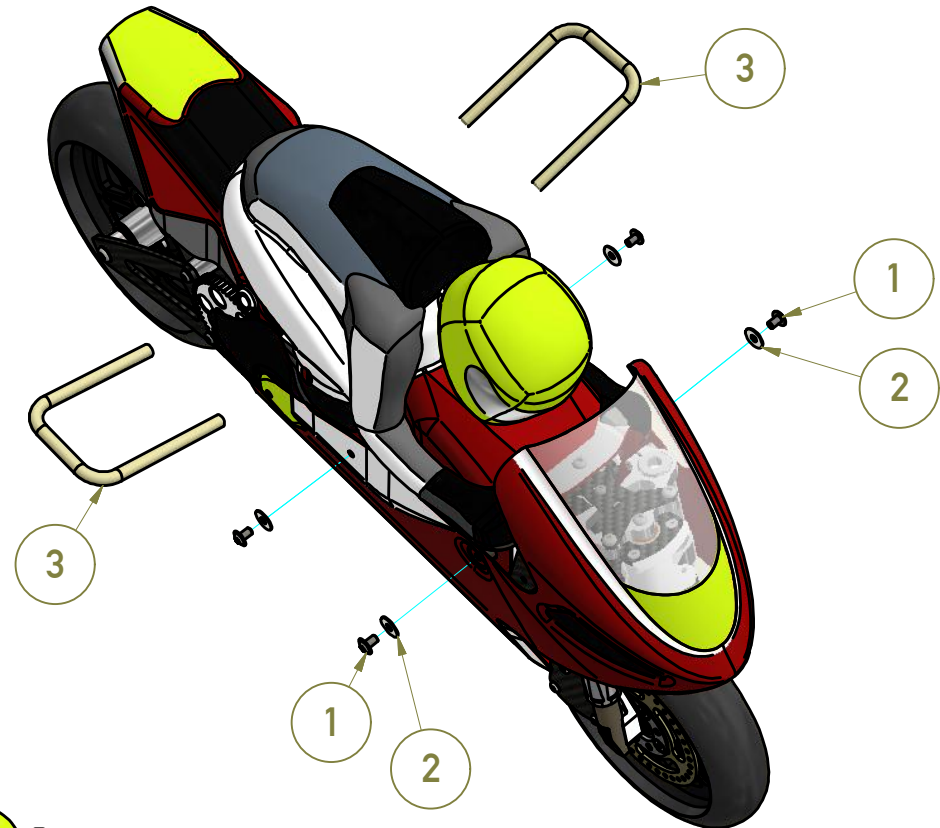
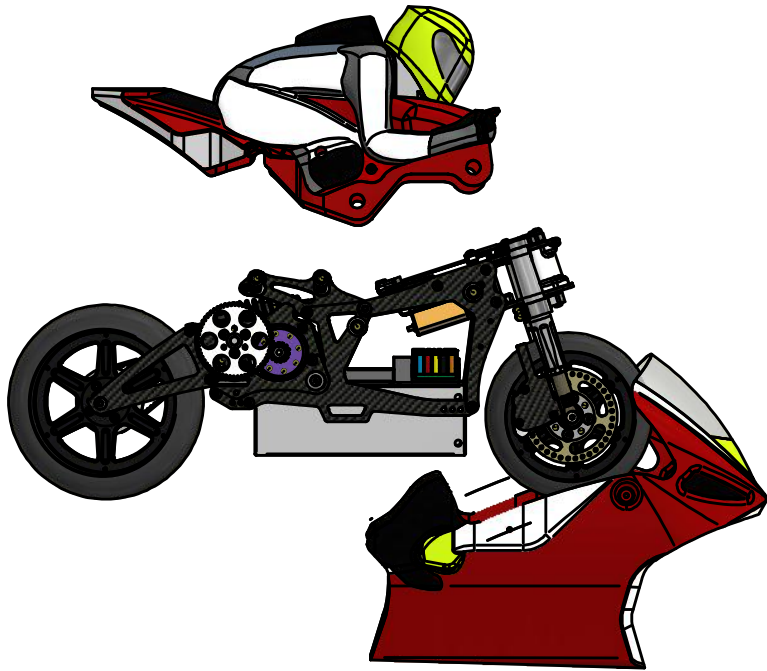
ESC not included in Kit

Battery not included in Kit

JABBER

RADIO CONTROLLED MOTORBIKES

Crashbar and Bodywork Assembly

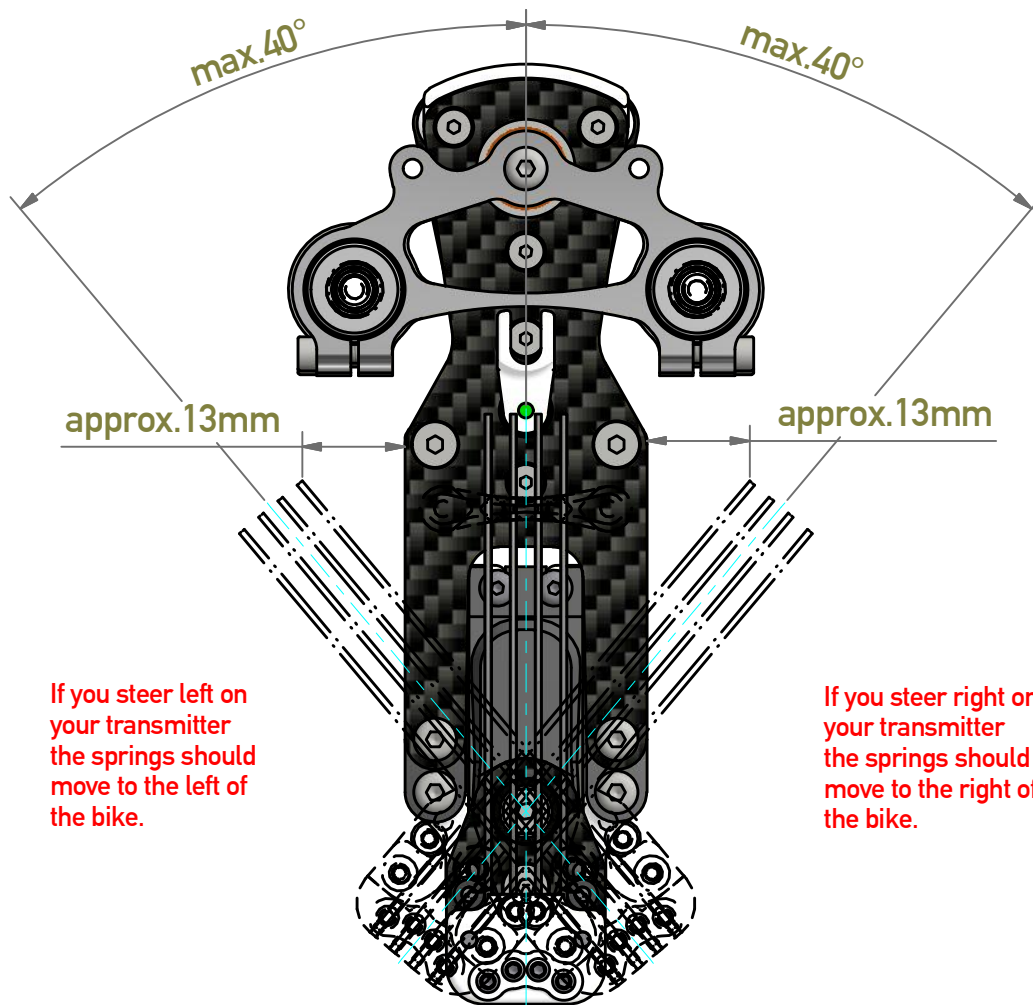


3	2	NSB-01-100	Crashbar Nylon 1m
2	4	80005551	Shim PA 3x9
1	4		RH Screw flanged ISO 7380-2 - M3x5
Pos	Pcs	Part #	Description

JABBER

RADIO CONTROLLED MOTORBIKES

Steering Servo Setup!! Read carefully!!



WARNING!! Adjust Servo travel according to drawing. If the Servo is allowed to travel further the springs can be damaged (bent) or overstressed and break over time.

You can do this by reducing the D/R (Dual Rate) of your transmitter. BUT during driving it can happen that you increase D/R beyond the springs envelope and destroy them.

We encourage you to set up your radio the following way:

TIP1:

We recommend to adjust the Servo Travel (+/-40°) by reducing the EPA (Endpoints) of the Steering Servo on your radio.

TIP2:

Once you have adjusted the travel of the servo as on the drawing we recommend not to touch D/R and EPA anymore. Adjust response of the steering over steering EXPO.

TIP3:

If the steering is not responsive enough we recommend to increase (+) the EXPO of your Steering. EXPO of up to +100% is not uncommon for expert drivers on this System. If you reach +100% and the bike still isn't responsive enough try a harder spring. If the bike is too responsive with the initial spring and EXPO is 0% we recommend to reduce D/R not under 70%. DO NOT use negative (-) EXPO. If this does not help use a softer spring.

TIP4:

We recommend to use the softest possible springs where you still have the best responsive feeling.

Most expert Pilots come close to these settings:

EPA approx. 75-85% to meet the 40° range shown to the left (to not overstress the springs)

D/R approx. 90% (for that extra kick, just in case)

EXPO: +75% (So you have headroom up or down)

These adjustments are valid for a System where 100% EPA is about 45° Servo travel in both directions.

JABBER

RADIO CONTROLLED MOTORBIKES

Gearing for 48DP

44 T

	78	79	80	81	82	83	84	85	86	87	88	89	90	
18								12,99	13,14	13,29	13,44	13,60	13,75	18
19							12,16	12,30	12,45	12,59	12,74	12,88	13,03	19
20						11,41	11,55	11,69	11,83	11,96	12,10	12,24	12,38	20
21				10,74	10,87	11,00	11,13	11,26	11,39	11,52	11,65	11,79		21
22			10,13	10,25	10,38	10,50	10,63	10,75	10,88	11,00	11,13	11,25		22
23		9,57	9,68	9,80	9,92	10,04	10,16	10,28	10,40	10,52	10,64	10,76		23
24	9,05	9,17	9,28	9,40	9,51	9,63	9,74	9,85	9,97	10,08	10,20			24
25	8,58	8,69	8,80	8,91	9,02	9,13	9,24	9,35	9,46	9,57	9,68			25
26	8,25	8,36	8,46	8,57	8,67	8,78	8,88	8,99	9,10	9,20				26
27	7,94	8,05	8,15	8,25	8,35	8,45	8,56	8,66	8,76					27
28	7,66	7,76	7,86	7,96	8,05	8,15	8,25	8,35						28
29	7,40	7,49	7,59	7,68	7,78	7,87	7,97							29
30	7,15	7,24	7,33	7,43	7,52	7,61								30

34 T

	78	79	80	81	82	83	84	85	86	87	88	89	90	
18								10,03	10,15	10,27	10,39	10,51	10,63	18
19							9,39	9,51	9,62	9,73	9,84	9,95	10,07	19
20						8,82	8,93	9,03	9,14	9,24	9,35	9,46	9,56	20
21				8,30	8,40	8,50	8,60	8,70	8,80	8,90	9,01	9,11		21
22			7,82	7,92	8,02	8,11	8,21	8,31	8,40	8,50	8,60	8,69		22
23		7,39	7,48	7,58	7,67	7,76	7,85	7,95	8,04	8,13	8,22	8,32		23
24	6,99	7,08	7,17	7,26	7,35	7,44	7,53	7,61	7,70	7,79	7,88			24
25	6,63	6,72	6,80	6,89	6,97	7,06	7,14	7,23	7,31	7,40	7,48			25
26	6,38	6,46	6,54	6,62	6,70	6,78	6,87	6,95	7,03	7,11				26
27	6,14	6,22	6,30	6,38	6,45	6,53	6,61	6,69	6,77					27
28	5,92	6,00	6,07	6,15	6,22	6,30	6,38	6,45						28
29	5,72	5,79	5,86	5,94	6,01	6,08	6,16							29
30	5,53	5,60	5,67	5,74	5,81	5,88								30

Gearing for 32DP

44 T

	52	54	56	58	60	
10					16,50	10
11				14,50	15,00	11
12			12,83	13,29	13,75	12
13		11,42	11,85	12,27	12,69	13
14		10,61	11,00	11,39	11,79	14
15	9,53	9,90	10,27	10,63	11,00	15
16	8,94	9,28	9,63	9,97		16
17	8,41	8,74	9,06	9,38		17
18	7,94	8,25	8,56			18

34 T

	52	54	56	58	60	
10					12,75	10
11				11,20	11,59	11
12			9,92	10,27	10,63	12
13		8,83	9,15	9,48	9,81	13
14		8,20	8,50	8,80	9,11	14
15	7,37	7,65	7,93	8,22	8,50	15
16	6,91	7,17	7,44	7,70		16
17	6,50	6,75	7,00	7,25		17
18	6,14	6,38	6,61			18